



Meridian Audio Limited
Latham Road, Huntingdon
Cambridgeshire PE29 6YE
United Kingdom

T +44(0)1480 445678
F +44(0)1480 445686
E info@meridian.co.uk
www.meridian-audio.com

Technical Note TN37

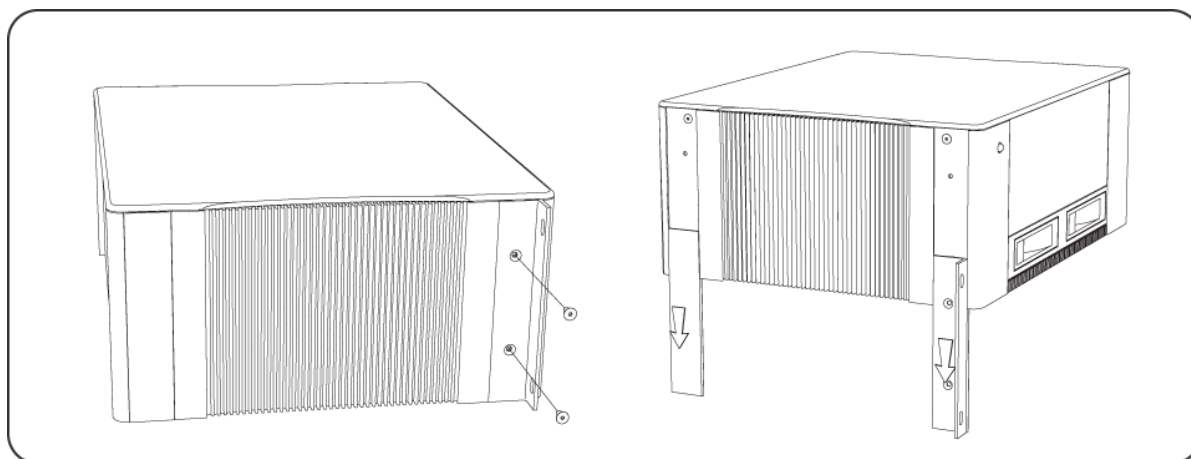
14th June 2011

Media Core 600, Configuration for rear facing rack mounting

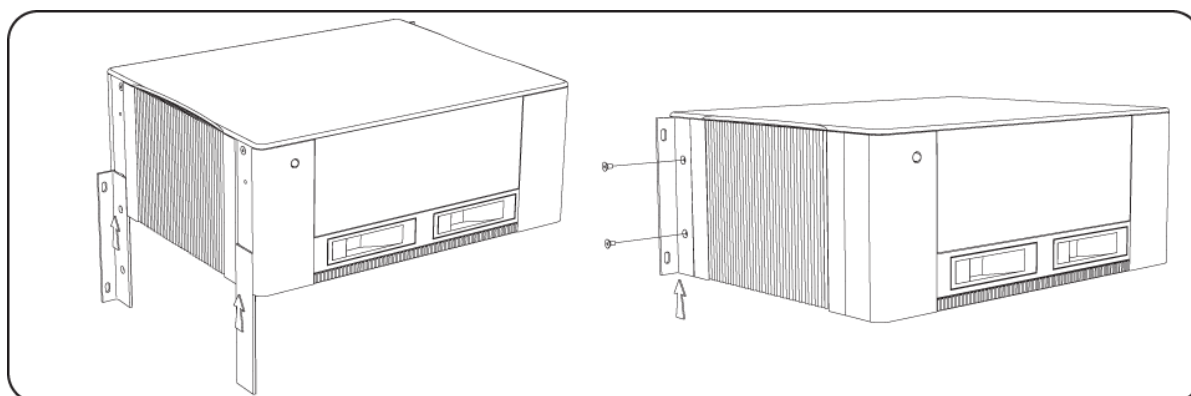
Media Core 600 is shipped with rack mount ears attached to the front corners of the product, ready for forward facing rack mounting.

To configure the product for rear facing rack mounting;

- remove the two rack ears from the front corner pillars using the supplied (2.5mm) Allen key taking care to keep the screws
- remove the two corner caps from the rear corner pillars (no tool required)



- slot the rack ears in to the rear corner pillars and fix in position using the screws removed previously. Use the Allen key to secure the screws
- slide the two corner caps in to the front corner pillars (no tool required)



Media Core 600 is now ready for rear facing rack mounting.