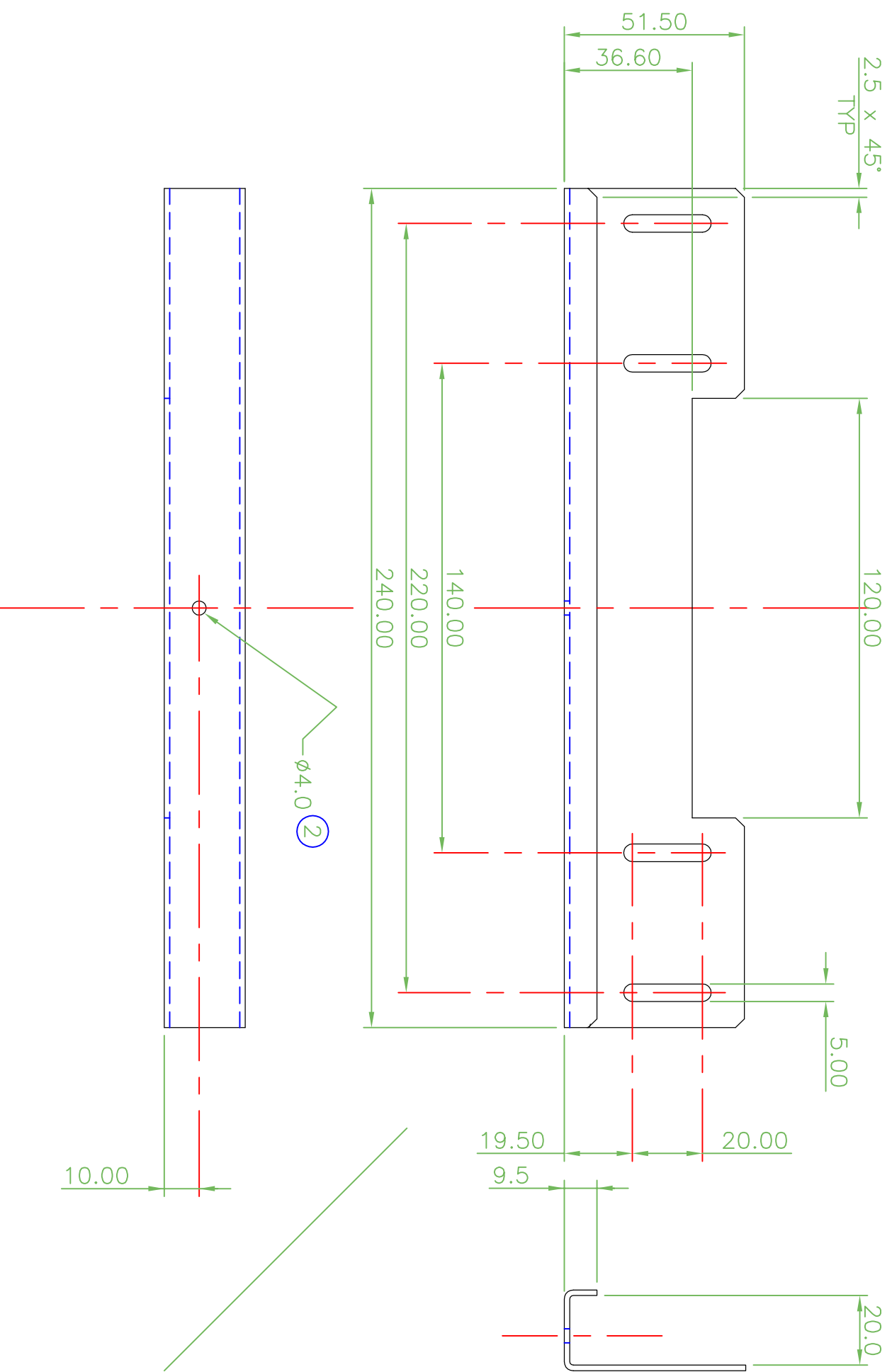
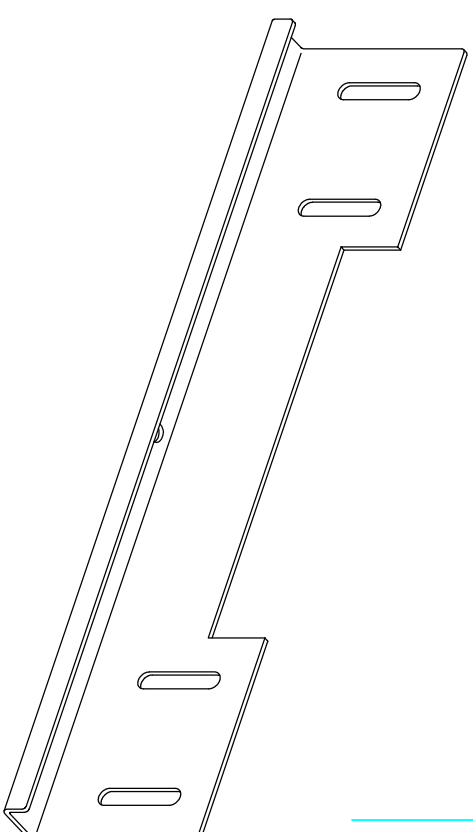


ISSUE	MODIFICATIONS	DATE
1	INITIAL ISSUE	
2	Ø4.0 HOLE ADDED	7-06



NOTES
 FINISH:-
 G40543 - SATIN WHITE
 G40545 - SATIN BLACK

BOOTHROYD STUART
MERIDIAN
 MERIDIAN AUDIO LIMITED:
 LATHAM ROAD,
 HUNTINGDON,
 CAMBRIDGESHIRE, PE29 6TE,
 TEL: 01480 445678
 FAX: 01480 445886

MATERIAL : 1.6mm ZINTEC
 FINISH : SEE NOTES

GENERAL TOLERANCES
 UNLESS OTHERWISE SPECIFIED
 XX ±0.20mm
 XX ±0.10mm
 XX ±0.1

Drawn: VINCE
 Date: 6-06
 Scale: FULL

Part No. ---
 Product: WALL BOX SERIES
 TITLE: RETAINING BRACKET
 DRAWING No. OW330-07
 ISSUE No. 2