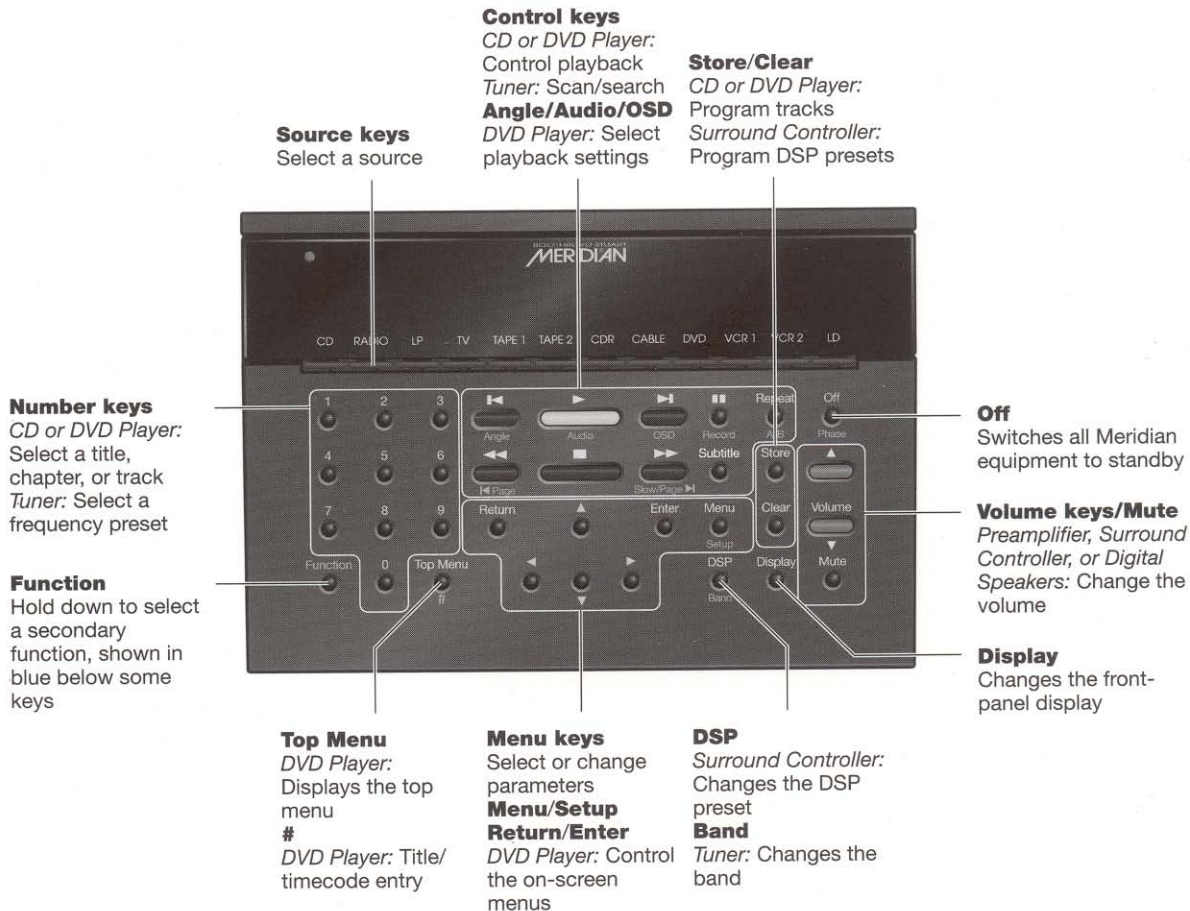


user guide

Meridian System Remote

The controls



Using the Meridian System Remote

Source keys

Select one of the 12 available sources.

Number keys

Allow you to enter track or chapter/title numbers on a CD or DVD player, and frequency presets on a tuner. Also used for numeric entries in DVD Player menus.

Function

Hold down to select the secondary function of keys shown with a blue legend below the key.

Top Menu

Displays the top disc menu on a DVD player.

#

Allows you to enter a title number or timecode on a DVD player.

Control keys

Allow you to control the currently selected source; eg changing track on a CD player, changing chapter or track on a DVD player, or changing tuner presets.

Audio/Subtitle/Angle/OSD

Allow you to change the current playback settings on a DVD Player.

◀ Page/Page ▶

Switch between pages on a DVD-A player.

Menu keys

Allow you to navigate through the menus used to configure the product.

Also used in conjunction with the **Menu**, **Setup**, **Return**, and **Enter** keys to operate the DVD player on-screen menus.

Store/Clear

Allow you to program/clear tracks on a CD player, or program/clear DSP presets on a surround processor.

Off

Switches all Meridian equipment to standby.

Volume keys/Mute

Control the volume on a preamplifier, surround processor, or digital speakers.

Display

Changes the front-panel display.

DSP

Changes the DSP preset on a surround processor.

Band

Changes the band on a tuner.

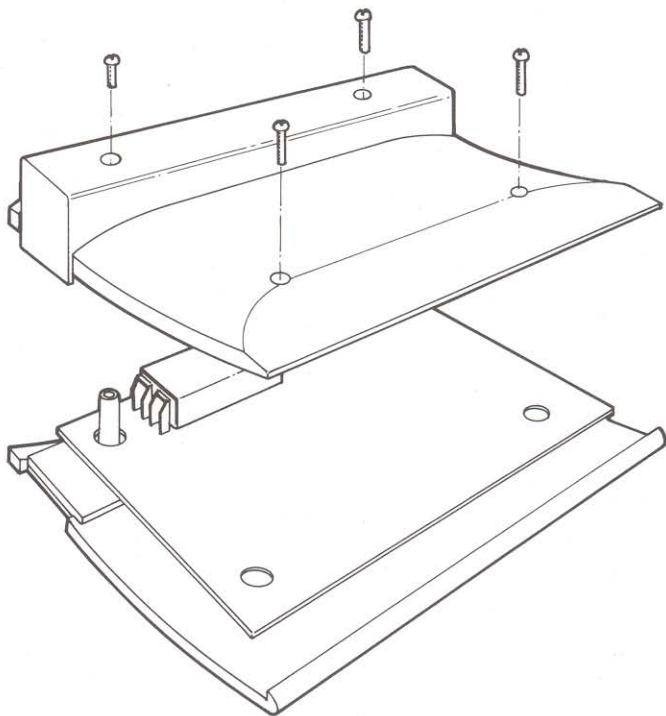
Fitting the battery

To disassemble the Meridian System Remote

- Remove the case screws, as shown opposite.

To fit the battery

- Separate the two halves of the case.
- Insert a 9V type PP3 battery.
- Gently clip the battery into place.
- Reassemble the case. Do not overtighten the screws.



Configuring the MSR

As supplied, the Meridian System Remote is configured for use with the latest Meridian 500 and 800 Series products.

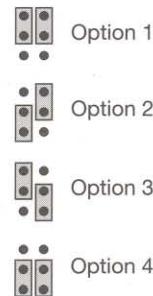
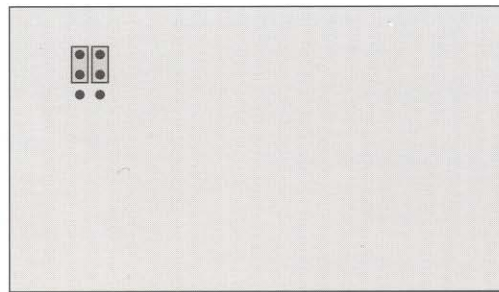
If you have a Meridian 586 DVD Player you should reconfigure the MSR as described in this section so that the control keys produce the correct codes to operate the DVD player.

To configure the MSR

- Open the case, as described in *To disassemble the Meridian System Remote* overleaf.
- Select the option required from the following table:

<i>Use this option</i>	<i>For these products</i>
Option 1	500 Series products and/or digital loudspeakers.
Option 2	586 DVD Player.
Option 3	Reserved.
Option 4	Reserved.

- Use the jumpers, shown in the diagram below, to select the required option:



Sales and service in the UK

Meridian Audio Ltd
Stonehill
Stukeley Meadows
Cams
PE29 6EX
England

Tel (01480) 52144
Fax (01480) 459934

World Wide Web
<http://www.meridian-audio.com>

Part no: 565U/4

Sales and service in the USA

Meridian America Inc
3800 Camp Creek Parkway
Building 2400
Suite 122
Atlanta
GA 30331

Tel (404) 344 7111
Fax (404) 346 7111

Designed and manufactured in the UK by

Meridian Audio Ltd
Stonehill
Stukeley Meadows
Cams
PE29 6EX
England

Guarantee and Service

The Meridian System Remote is guaranteed against defects in material and workmanship for 2 years from the date of purchase. Outside the UK, local warranty liability is restricted to equipment purchased within the territory. This guarantee does not limit your statutory rights within the United Kingdom. In the unlikely event that your Meridian System Remote fails to function correctly,

it should be returned, in its original packaging, to your Meridian dealer. In case of difficulty within the UK or USA please contact the appropriate sales and service addresses shown above. In case of difficulty outside the UK or USA, contact the importing agent for the territory. A list of Meridian agents abroad is available from Meridian Audio. No responsibility can be accepted for the unit whilst in transit to the factory or an agent, and customers are therefore advised to insure the unit.