

SW320 Installation Subwoofer

Compact Meridian digital and analogue active subwoofer for installation applications



C52 rack-mount Active Subwoofer Controller unit (above); in-wall unit (right)



For years, Meridian loudspeakers have offered the highest levels of performance available – the result of careful design, the highest-quality drivers and components, transparent crossovers and rigid, low-coloration enclosures in both Active and Digital Active designs. Now we have paid the same level of attention to the design of loudspeakers for installation purposes, including in-wall, flush-mount and on-wall configurations. These offer full Meridian performance for systems where the use of floor-standing models is impossible or inappropriate.

The SW300 series of installation subwoofers complements the other members of the 300 Series of wall-mounting systems to allow exceptional flexibility of configuration.

The SW320 is the smallest of a planned series, with an enclosure that includes an 10in bass driver and an 10in Auxiliary Bass Radiator and is fed by a single cable pair. The enclosure is identical in size to the 320 in/on-wall system and is available in in-wall or flush-mount configurations. The back box is under a foot wide and under

4in deep, making it ideal for use in standard stud walls.

The rigid enclosure minimises wall and cavity excitation so you hear the speakers, and not wall resonances. A black, paintable fabric-covered low-resonance grille is included.

The SW320 is driven by the C52 Active Subwoofer Controller, a 2U rack-mounting unit with a conservatively-rated linear power supply and low-field true toroidal power transformer. The controller contains two amplifier modules each delivering 180W into 4Ω (the impedance of the speaker unit), thus enabling a single controller to drive two subwoofer speaker units. Multiple analogue and 2-channel digital inputs are provided and the unit integrates completely into a Meridian installation while offering full compatibility with third-party systems.

Meridian installation loudspeakers deliver the performance of a stand-alone design in a discreet enclosure with minimal visual impact – and awesome power.

In-wall active subwoofer with true Meridian performance

Analogue and Digital Active operation

Powerful, well-defined bass with high SPL

Rigid enclosure minimises wall and cavity resonances

2 x 180W 2-channel 2U rack-mount C52 Active Subwoofer Controller

Uses the same back-box as the 320 in/on-wall unit, with identical dimensions

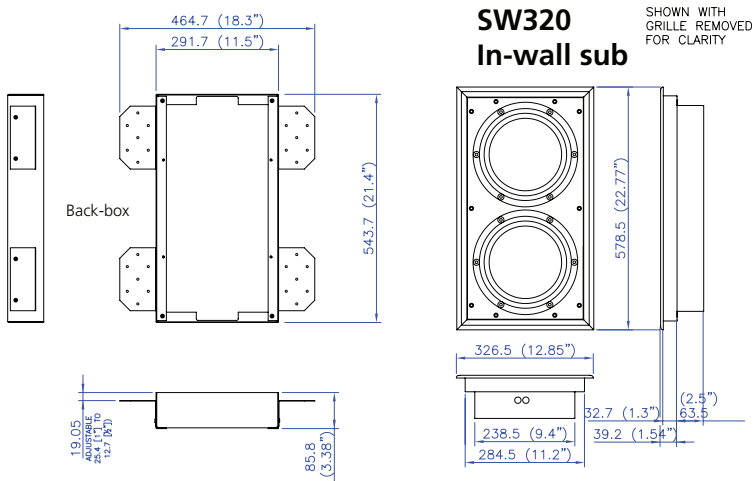
BOOTHROYD STUART
MERIDIAN

www.meridian-audio.com

SW320 Installation Subwoofer



CS2 Rack-mounted Active Subwoofer Controller front and rear panels



Outline Specifications

System	
In-room response	20–160 Hz
SW320 In-wall Subwoofer	
Drivers	1 x 10in bass driver 1 x 10in Auxiliary Bass Radiator
Impedance	4Ω nominal
Connections	Gold-plated binding posts (2)
Dimensions	See diagram above
Weight	TBC kg (xx lb)
CS2 Rack-mount Active Subwoofer Controller	
Dimensions	
Main enclosure	435 x 82 x 250 mm (17.25 x 3.25 x 9.75 in) W x H x D
Front panel	485 x 87.5 x 12 mm (19 x 3.45 x 0.5 in) W x H x D
Weight	TBC kg (xx lb)
Audio power output	2 x 180W into 4Ω
Inputs	
Analogue (each channel)	Mono unbalanced (phono) impedance 10 kΩ Left & right unbalanced (phonos) impedance 20 kΩ Mono balanced (XLR3F) impedance 20 kΩ/leg
Digital	S/PDIF coaxial (phono) supplied to both controller channels. Digital input channels 1, 2 or 1+2 may be picked up by each amplifier
Other connections	Meridian Comms (2 x DIN, 2 x BNC) S/PDIF digital output (phono) Audio power out (2 x pairs gold-plated binding posts)
Lowpass filter	40–150 Hz with defeat
Controls (per channel)	Reset Gain (Level) Lowpass filter frequency LPF defeat Absolute phase +/- Digital input channel selector (1, 2, 1+2)
Indicators	LED power indicator (blue) per channel
Power	100–120/220–240 Vac, 20–400W Max

Meridian Audio Limited
Latham Road
Huntingdon
Cambridgeshire PE29 6YE
England

T +44 (0) 1480 445678
F +44 (0) 1480 445686

Meridian America Inc
8055 Troon Circle, Suite C
Austell, GA 30168-7849

T +1 (404) 344 7111
F +1 (404) 346 7111



www.meridian-audio.com

This is a preliminary document and is subject to significant change without notice. Meridian retains the right to improve or modify product specifications and design at any time. E&OE.