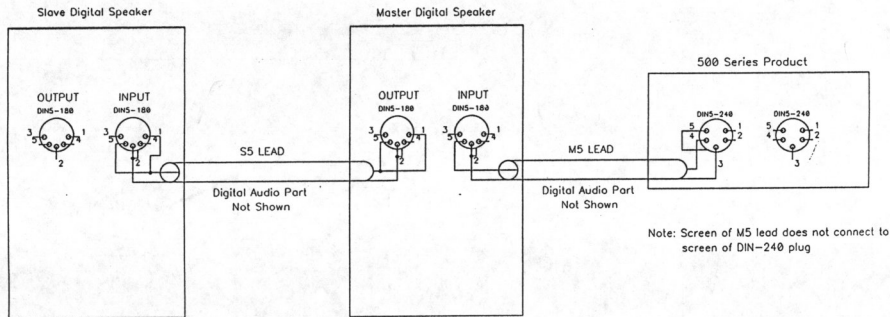


M5 AND S5 LEADS



18 November 1993

RJH