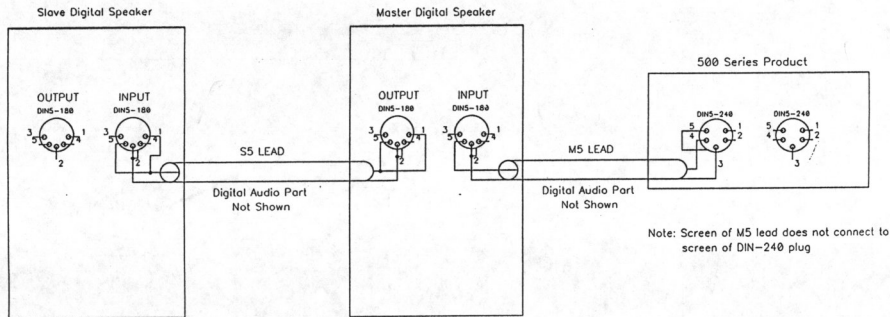


M5 AND S5 LEADS



Note: Screen of M5 lead does not connect to screen of DIN-248 plug