

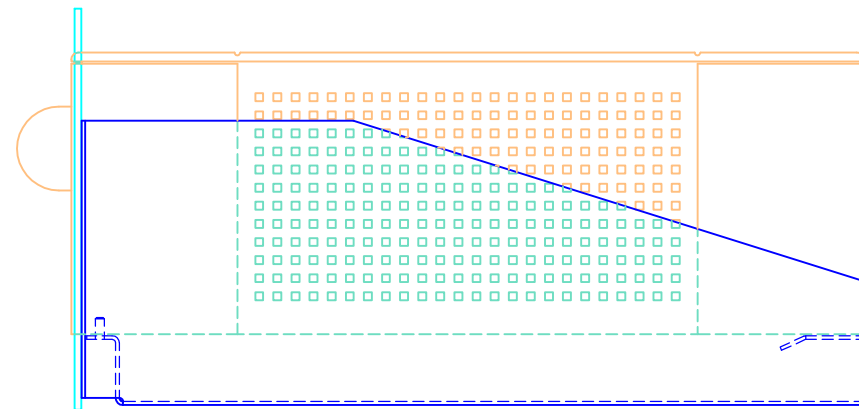
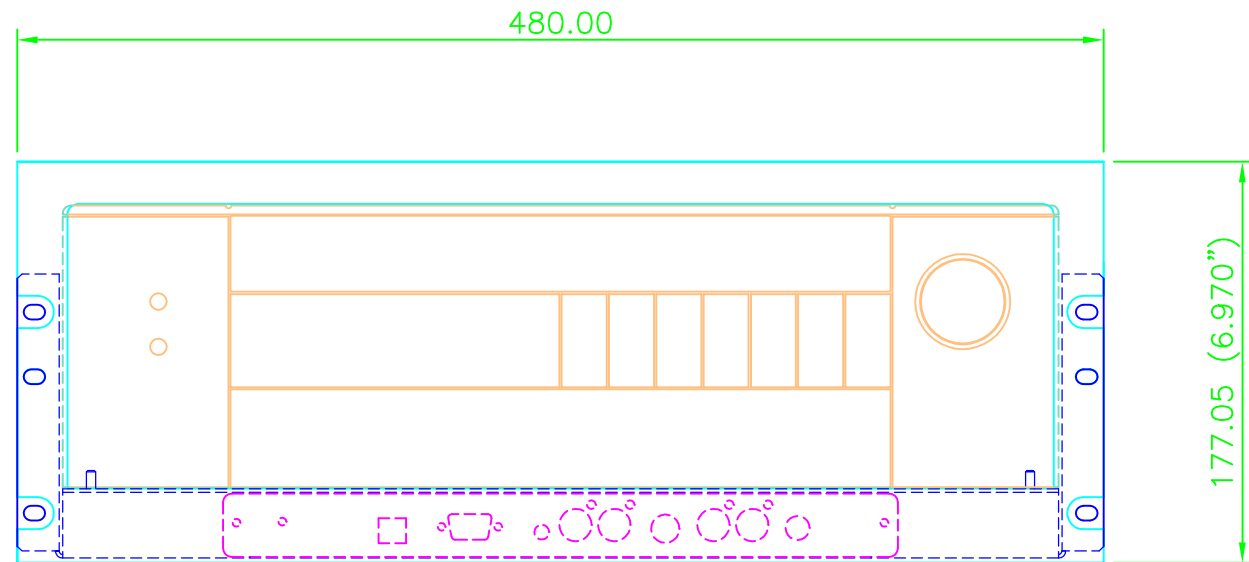
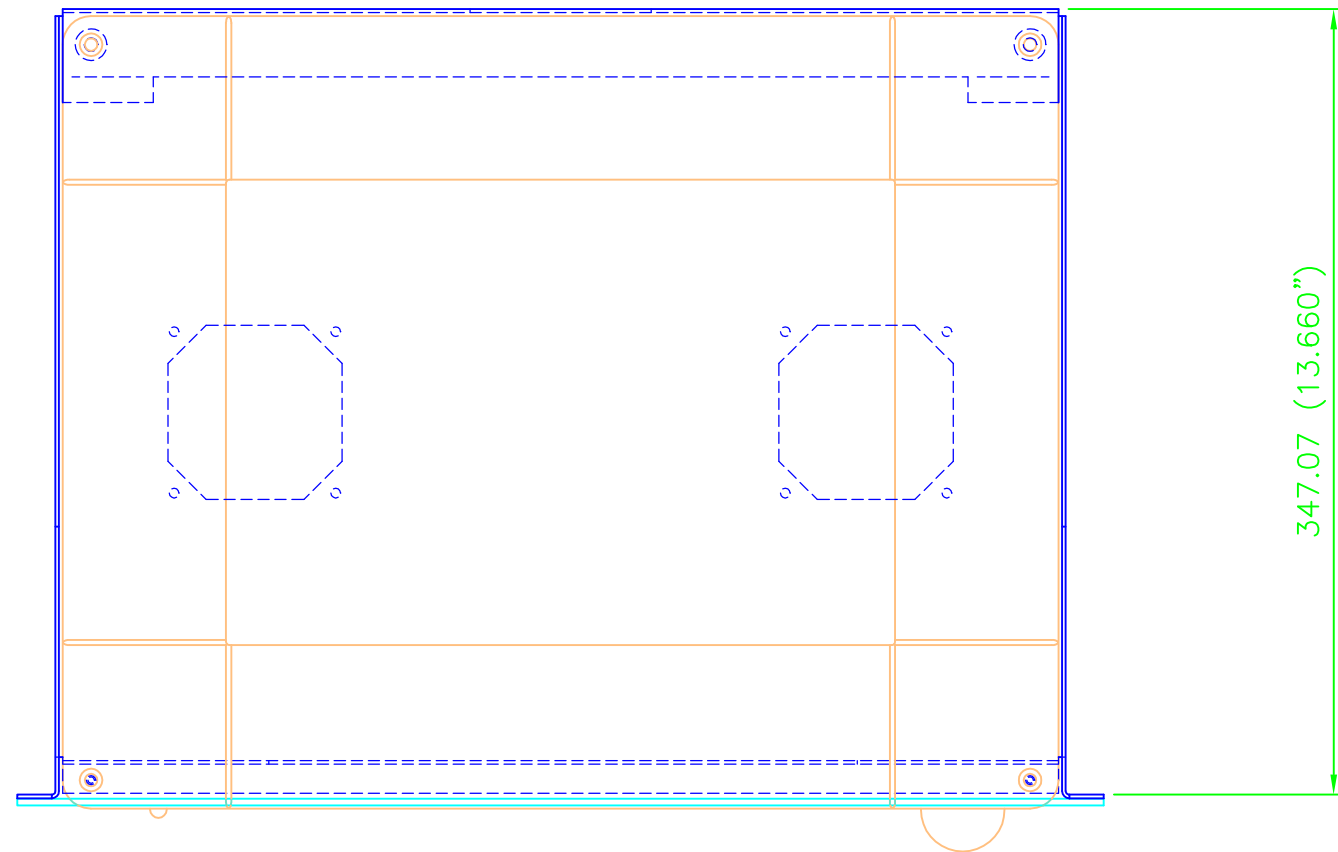
DRAWING No.

THIS DRAWING IS THE PROPERTY OF MERIDIAN AUDIO LIMITED AND MUST NOT BE COPIED OR DISCLOSED TO A THIRD PARTY WITHOUT THE WRITTEN CONSENT OF MERIDIAN AUDIO LIMITED

THIRD ANGLE PROJECTION

IF IN DOUBT ASK

ISSUE	MODIFICATIONS	DATE
1	INITIAL ISSUE	



BOOTHROYD STUART  
**MERIDIAN**  
 MERIDIAN AUDIO LIMITED;  
 STUKELEY MEADOWS INDUSTRIAL ESTATE;  
 STONEHILL, HUNTINGDON,  
 CAMBRIDGE, PE29 6EX;  
 ENGLAND.  
 TEL: 01480 445678  
 FAX: 01480 445686

MATERIAL :	
FINISH :	
GENERAL TOLERANCES UNLESS OTHERWISE SPECIFIED X.X ±0.20mm X.XX ±0.10mm X.X* ±0.1	Drawn: VINCE Date: Scale: FULL
Part No.	
Product:	
TITLE:	
DRAWING No.	ISSUE No.
SHT: OF	