

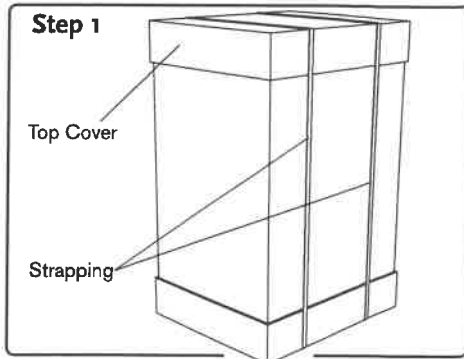


DSP8000 Unpacking Instruction Sheet.

Please Note : This is a two man operation

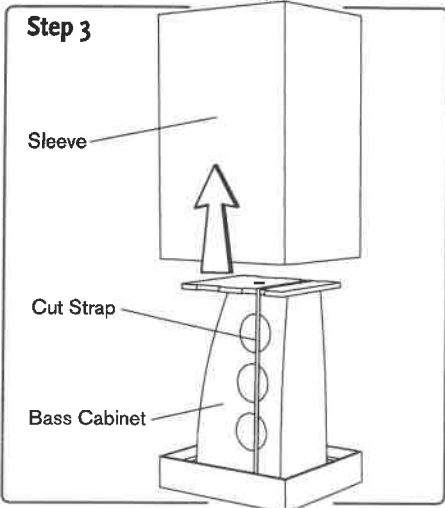
Step 1

- A) Cut/Release and remove Strapping
- B) KEEP removable Strapping
- C) Remove Top Cover



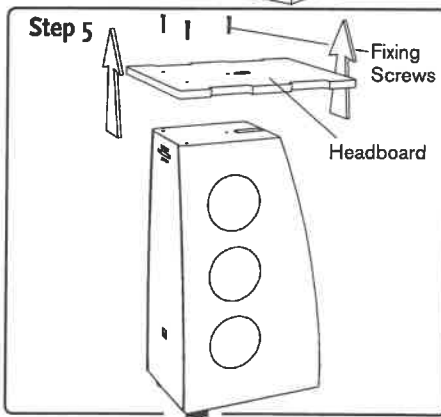
Step 3

- Lift Sleeve up and over Bass Cabinet



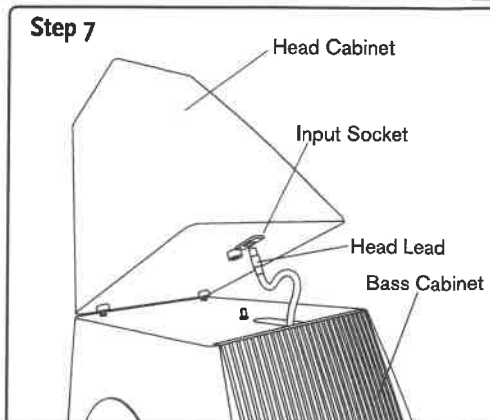
Step 5

- A) Retrieve Spanner and Shouldered Head Spikes from Accessory Box
- B) Remove Head Board
- C) Fit Shouldered Head Spikes



Step 7

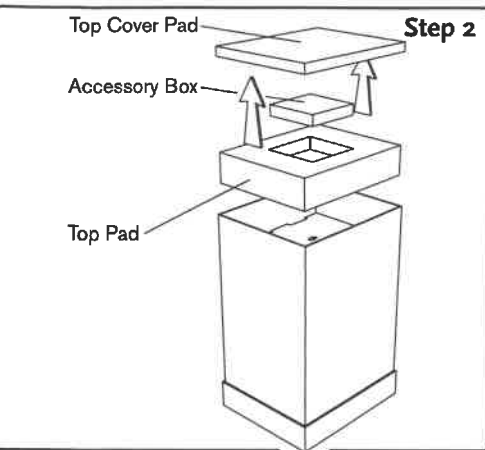
- With the Head Cabinet located on the front two Shouldered Head Spikes but still tilted forward, locate the Head Lead that emerges out of the Bass Cabinet and connect it into the Input Socket on the bottom of the Head Cabinet



Step 8

Step 8

- Gently allow the Head Cabinet to rock back onto the single remaining Shouldered Head Spike. At the the same time, tuck the Head Lead into the recess situated at the back of the top surface of the Bass Cabinet



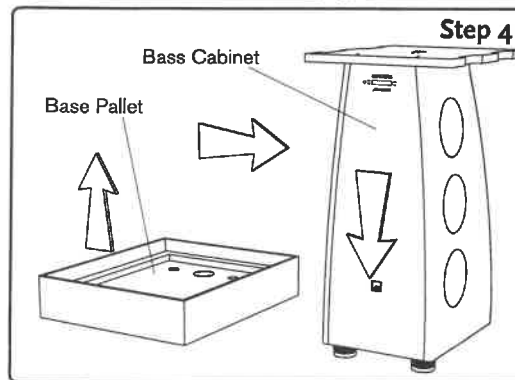
Step 2

- Remove
- A) Top Cover Pad
- B) Accessory Box
- C) Top Pad

Step 4

Step 4

- Lift the Bass Cabinet out of the Base Pallet (Note, this is a two man operation)



Step 6

Step 6

- Holding the Head Cabinet at a slight forward angle, locate the front two Head Cups onto the front two Shouldered Head Spikes

