

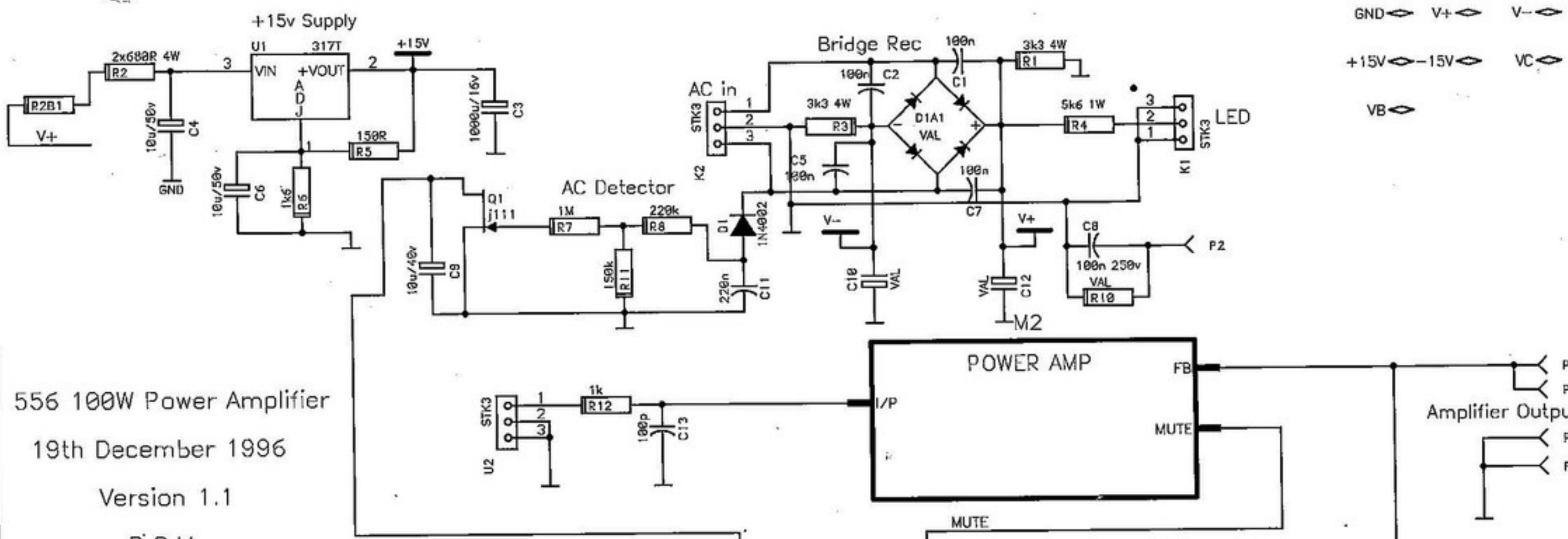
A

B

C

D

Global Connections  
 GND ◀ V+ ◀ V- ◀  
 +15V ◀ -15V ◀ VC ◀  
 VB ◀



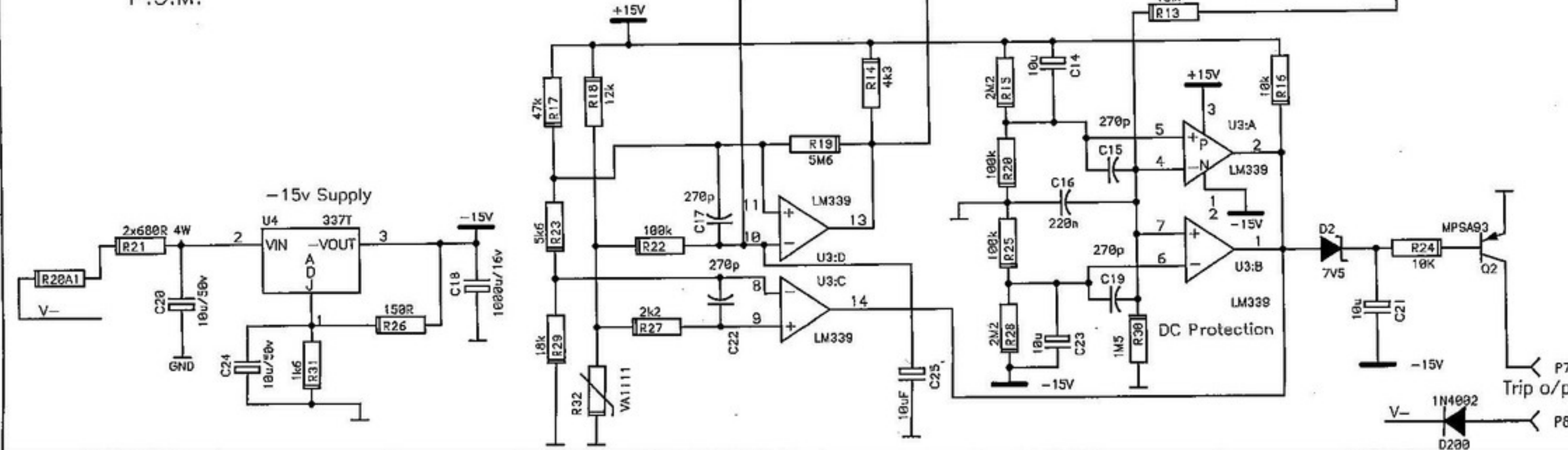
556 100W Power Amplifier  
 19th December 1996  
 Version 1.1  
 P.S.M.

A

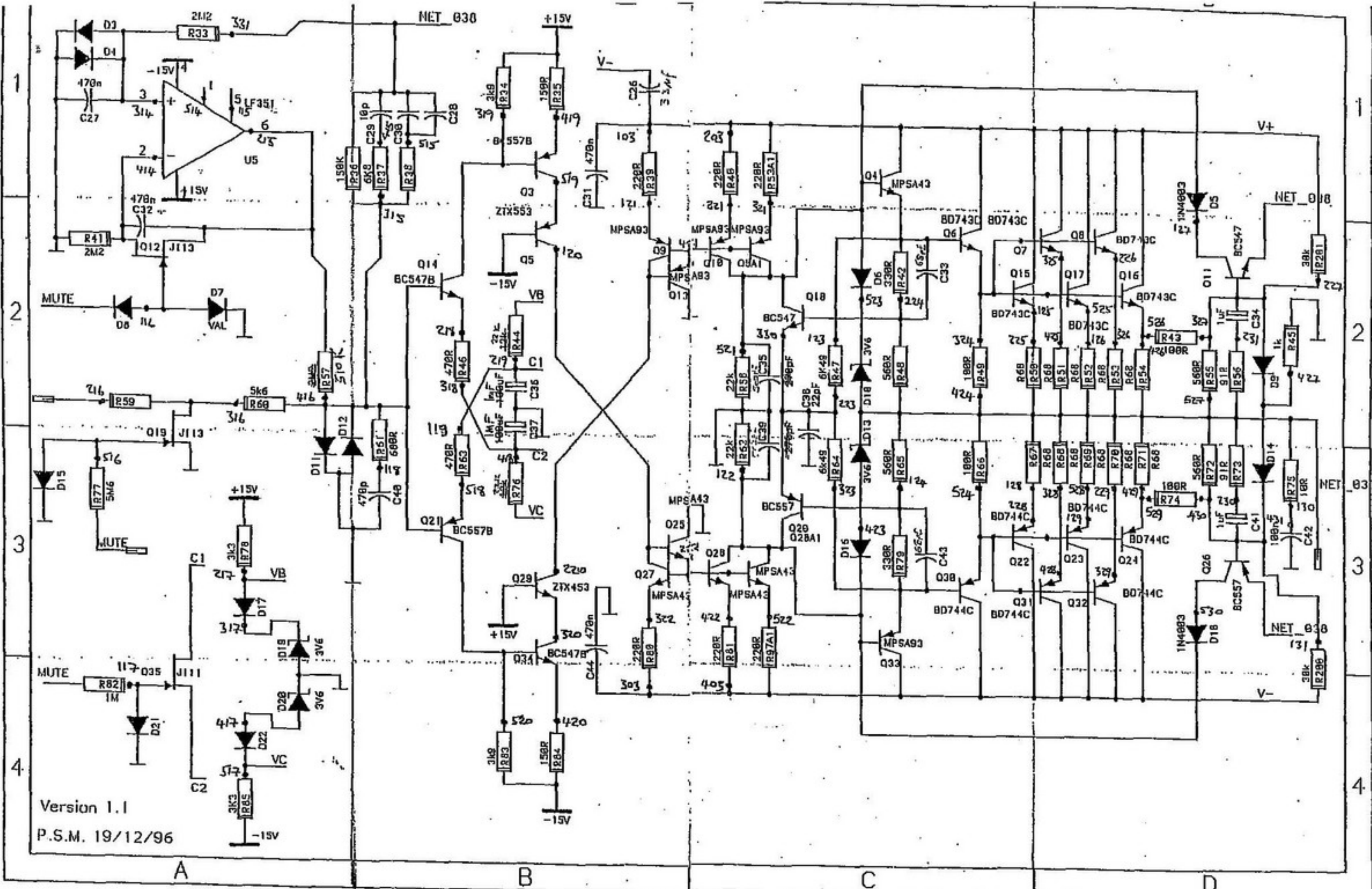
B

C

D



Trip o/p  
 P7  
 P8



Version 1.1  
 P.S.M. 19/12/96

A

B

C

D