

INSTRUCTIONS FOR FITTING PHONO MODULE TO 501 OR 562

This sheet is for the installation of a 515 Moving Coil or a 516 Moving Magnet phono module to a 501 or 562 Control Unit. Meridian Dual Phono modules used in 200 series products can not be fitted. This sheet does not apply to the 562V and 501V video switching products which require further disassembly not covered by this sheet.

WARNINGS

1. Power cord must be disconnected before case is removed.
2. Static Sensitive parts are revealed when fitting a phono module.

TOOLS REQUIRED

TORX Screwdriver T10
5mm Flat Blade Screwdriver
Anti-Static bench kit

PROCEDURE

1. Ensure all antistatic precautions are taken. With the rear of the product towards you, locate the three slots at the top of the product through which the clips for the rear plastic trim are housed.
2. Using the flat bladed screwdriver, push the right hand clip back 3mm into the slot and gently lift the right hand end of the trim until it is just unclipped, ie does not fall back into the slot when released.
3. Repeat the procedure for the centre and left hand clips, then remove the trim.
4. Two torx screws will be revealed by the removal of the trim. Unscrew these and retain them and their washers.
5. Unscrew the two screws on the left edge and the two on the right edge of the rear panel which fix the lid to the rear panel.
6. Turn the product upside down. Remove the three screws along the left edge and the three screws on the right edge of the base which connect the lid to the base.
7. Check that 12 torx screws have been removed. Do not remove the three screws which attach the front panel of the unit to the base.
8. Carefully slide the lid backwards whilst holding the front of the product. If it does not slide off easily, repeat step 7.
9. Completely remove the lid of the product.
10. Place the opened unit flat on the bench with its front panel towards you.

11. At the left hand end of the main PCB, at the rear of the product, you will see a rectangle (roughly 42mm by 90mm) screened on the circuit board. This is where the module will be located.
12. Remove and retain any wire links as in figure 1.
13. Remove the phono module from its packaging, taking care to handle it by its edges only.
14. Carefully locate the module as in figure 2.
15. Check that all the pins are straight, and that that they are all correctly aligned over the pin holes.
16. GENTLY push the module down until the two holes at either end of it are against the mounting pillars. IF ANY RESISTANCE IS ENCOUNTERED, CHECK THAT THE PINS ARE CORRECTLY SITED AND ARE NOT BENDING, AS THIS WILL DAMAGE THE PRODUCT.
17. Secure the module with the flat-blade screws and brass washers provided.
 - NB These screws should be tightened carefully as they provide grounding for the module as well as fixing.
18. Check that the module is secure and that all pins are sited correctly.
19. Refit the lid to the casing by reversing steps 1 to 9.

FIGURE 1

Arrows showing positions of links to be removed.

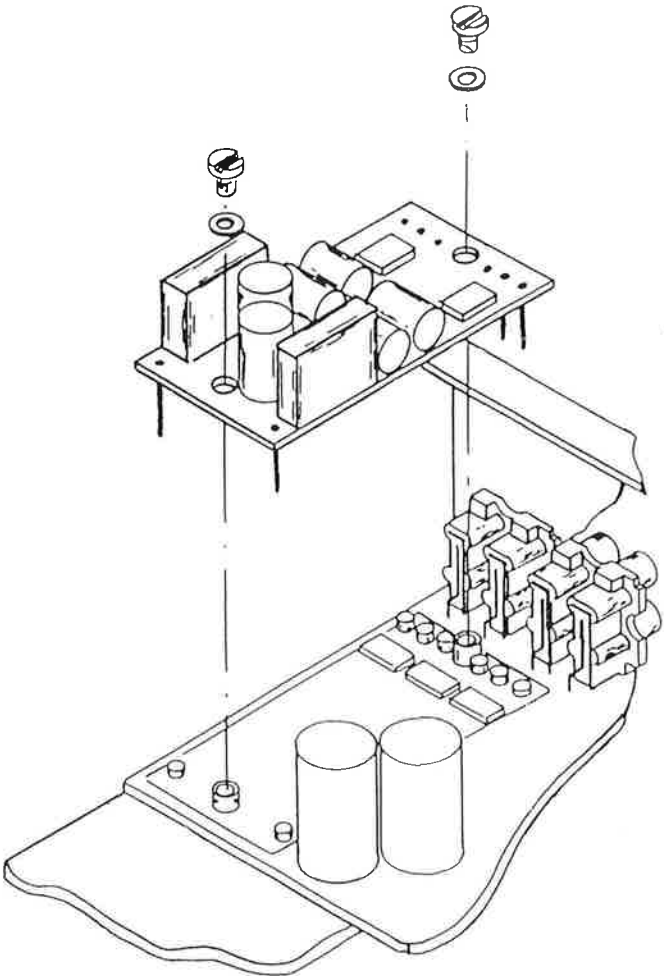
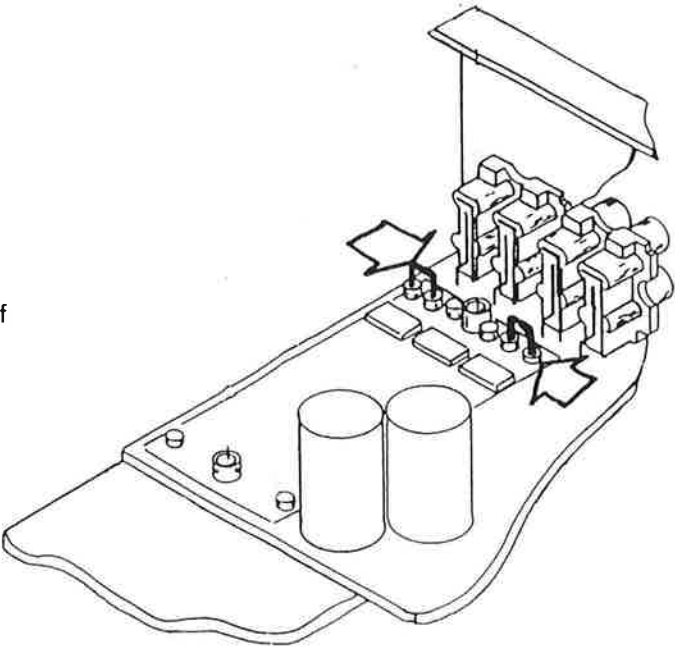


FIGURE 2

Showing alignment of module on mounting holes.