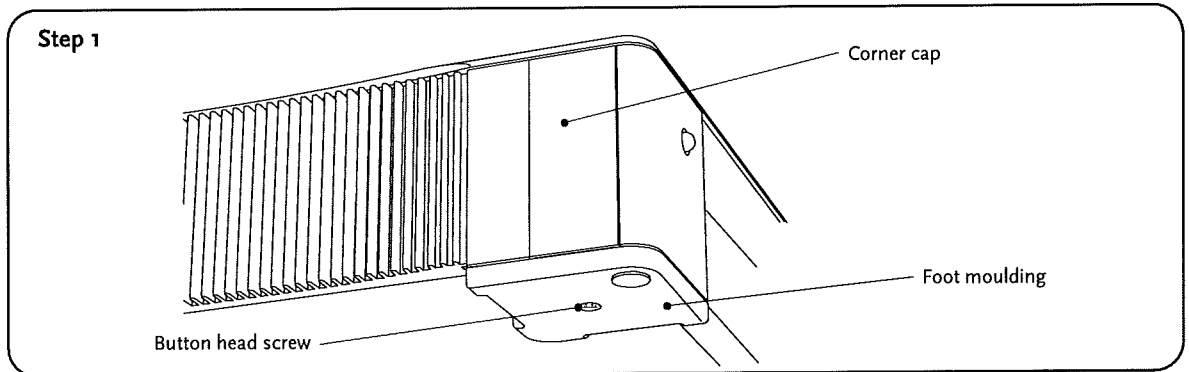
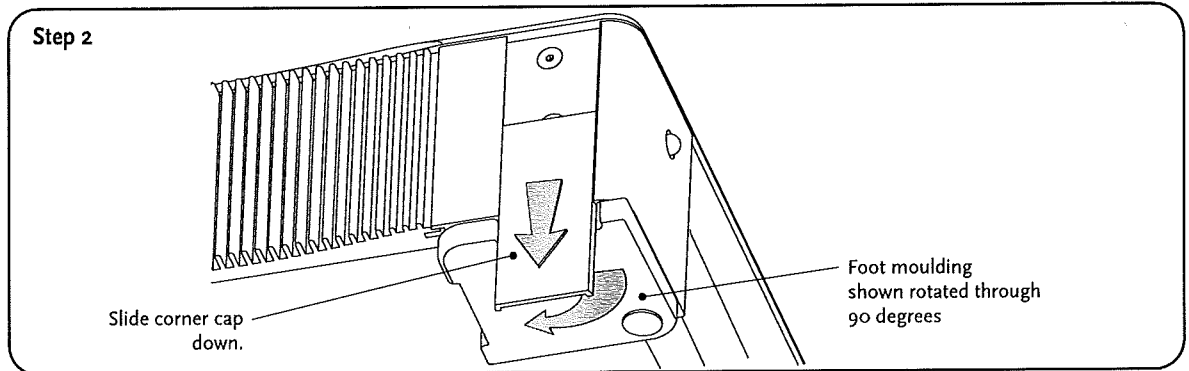




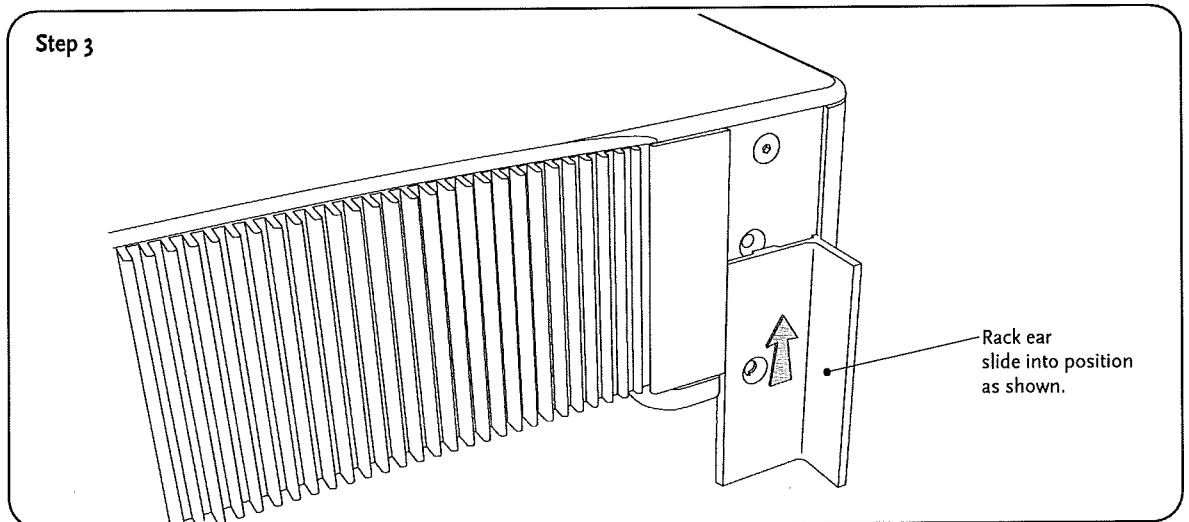
Step 1
Loosen button head screw in foot with supplied Allen key until foot moulding can be rotated. Rotate through 90 degrees until foot cut-out aligns with corner cap.



Step 2
Slide corner cap down past foot moulding and off.



Step 3
Retrieve from accessory box 2 off rack ears & 2 off M4 counter sunk screws. Slide rack ears into position.



Step 4
Screw rack ear in place using M4 counter sunk screws supplied. Rotate foot 90 degrees back into position and secure by tightening screw.

