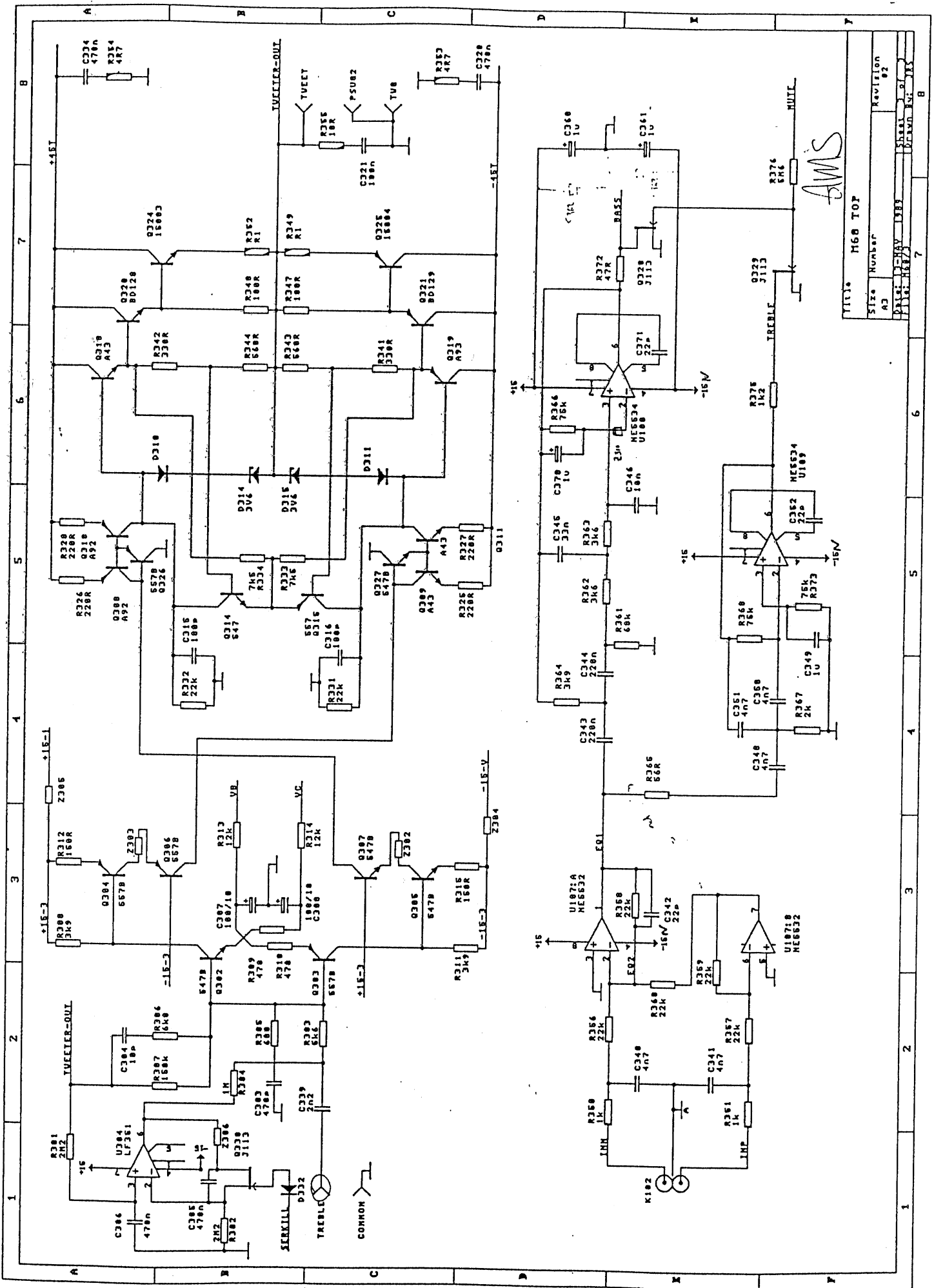


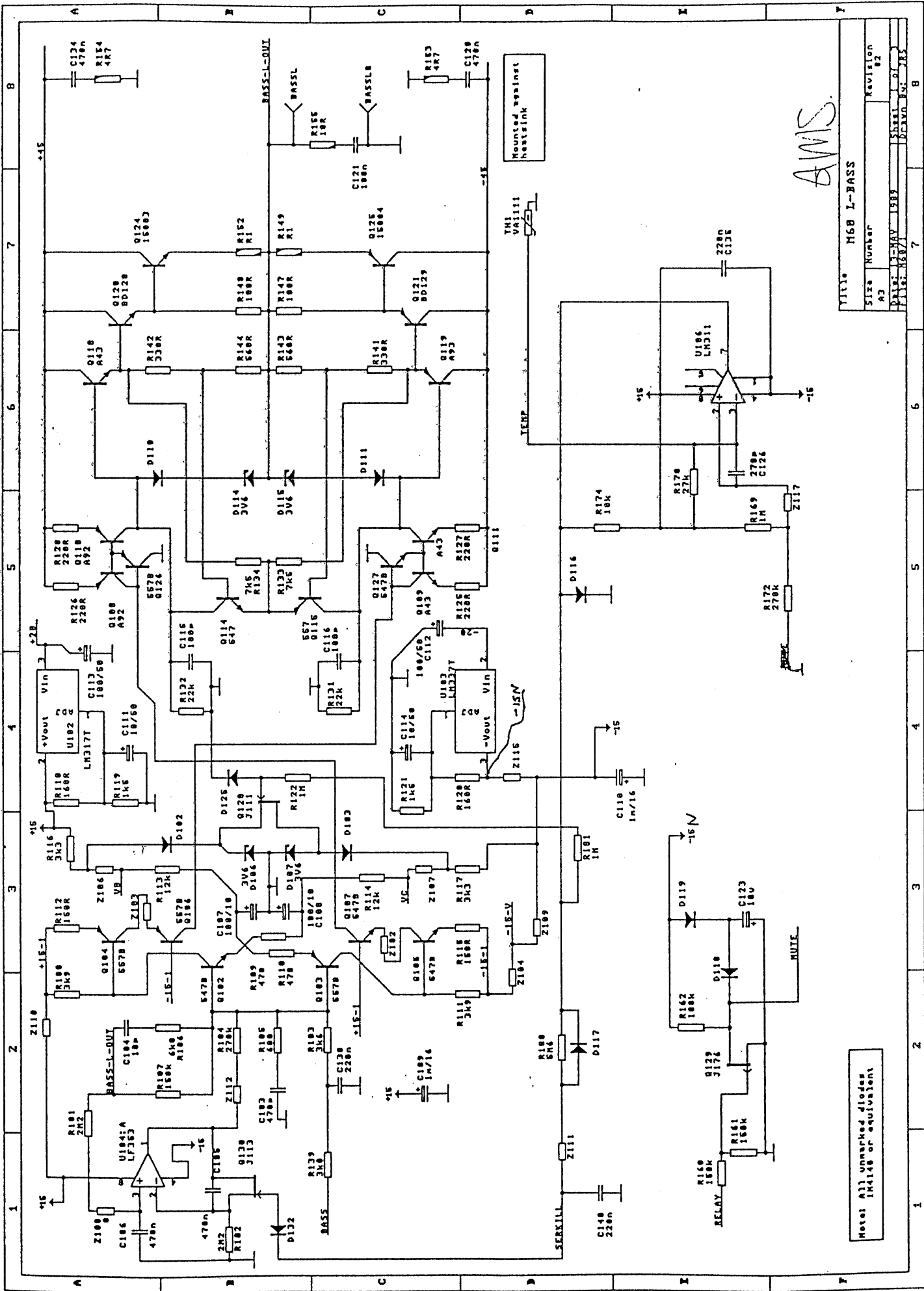
BMS

TITLE		M6B U-BASS
SIZE	Number	Revision
A3		02
DATE	APPROVED BY	SHEET
1987		2
DESIGN	BY	DATE



Title: M68 TOP	
Size: A3	Revision: #2
Date: MAY 1987	Sheet: 2
Drawn By: JKS	Drawn By: JKS

AMS

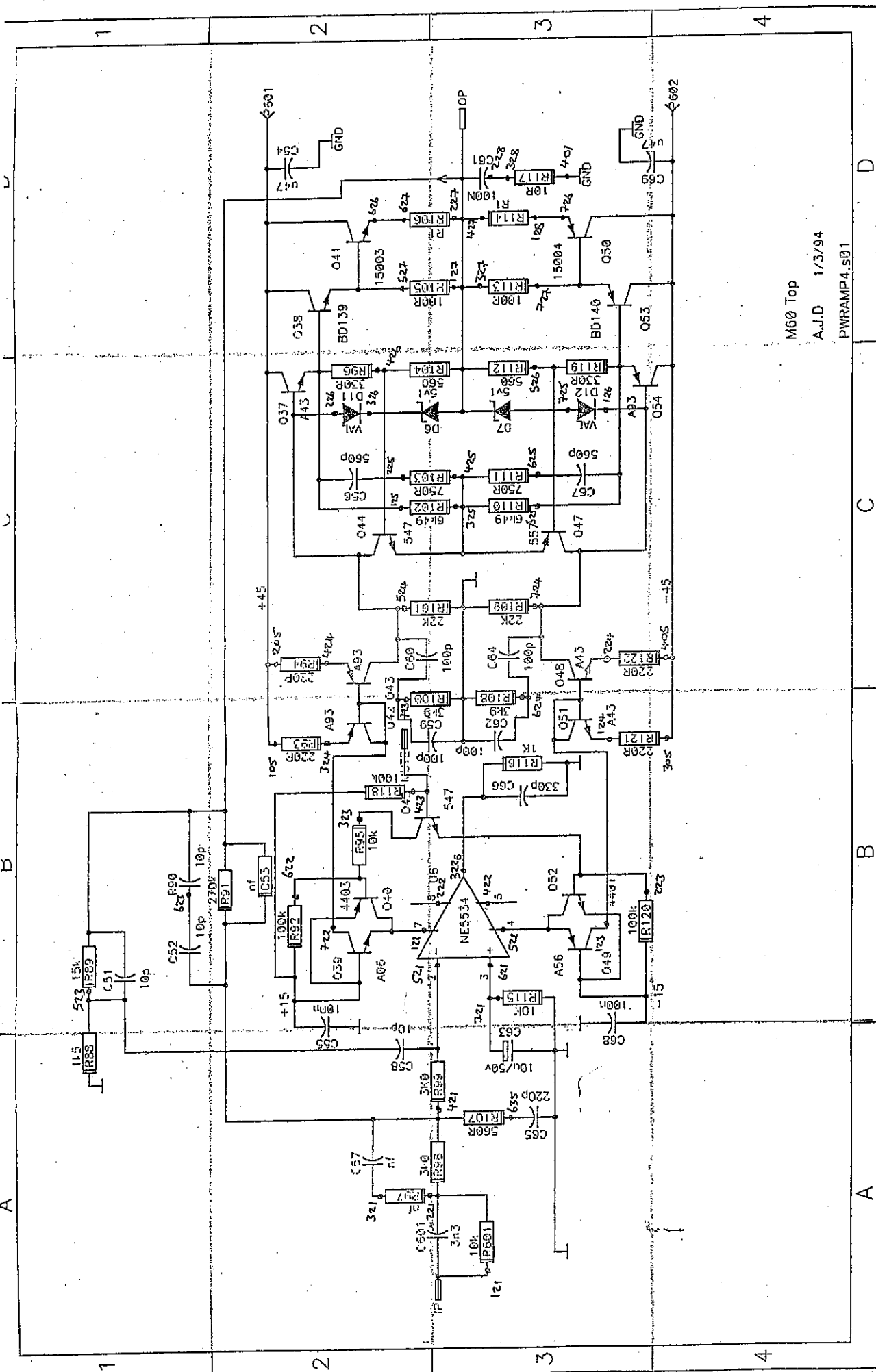


AMS

TITLE: H6B L-BASS	
Size: A3	Number: 82
DATE: 2-MAY-1989	Sheet: 1 of 1
DESIGNER: JRS	CHKD BY: JRS

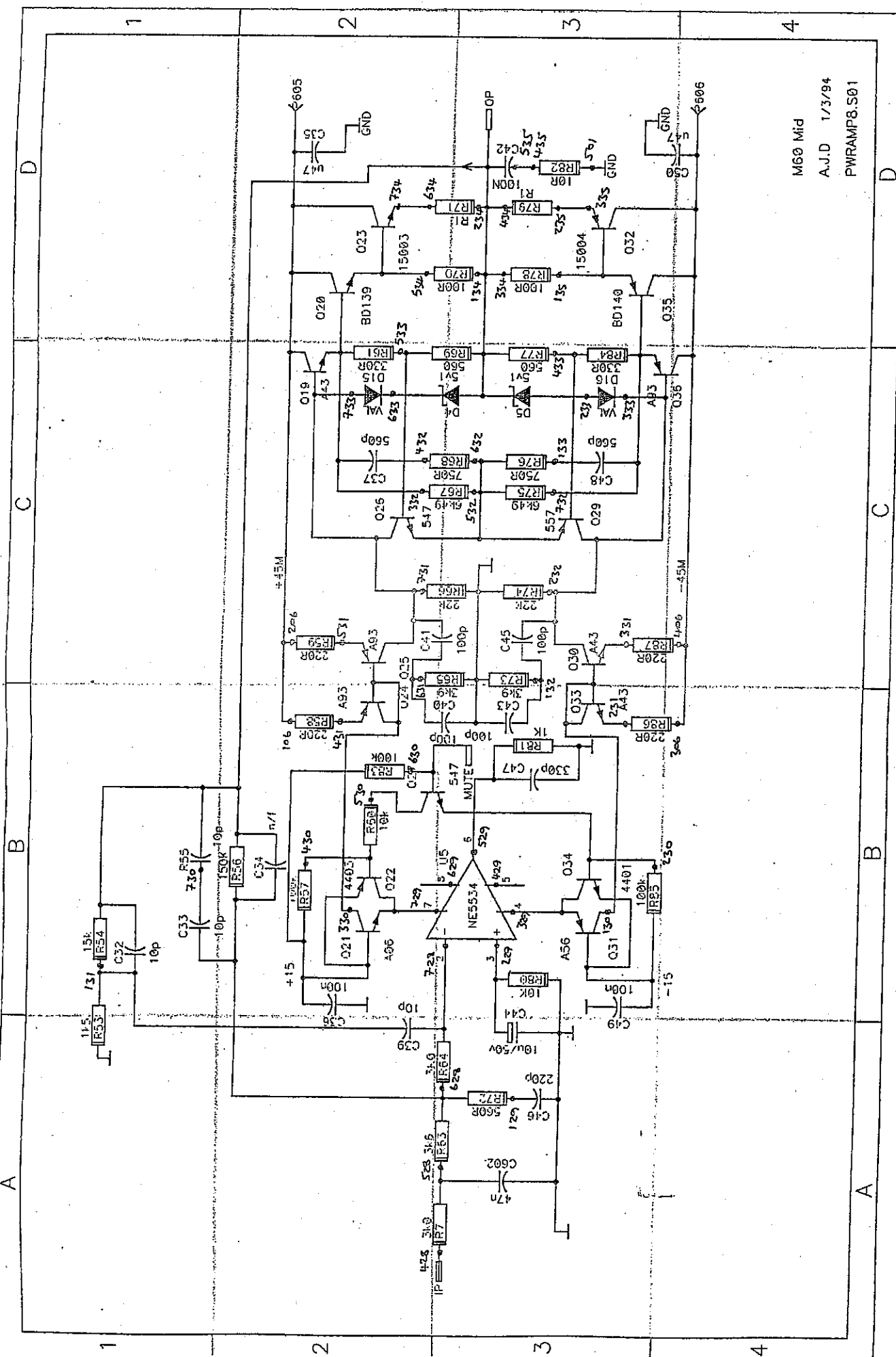
Note: All unmarked diodes 1N4148 or equivalent

1 2 3 4 5 6 7 8



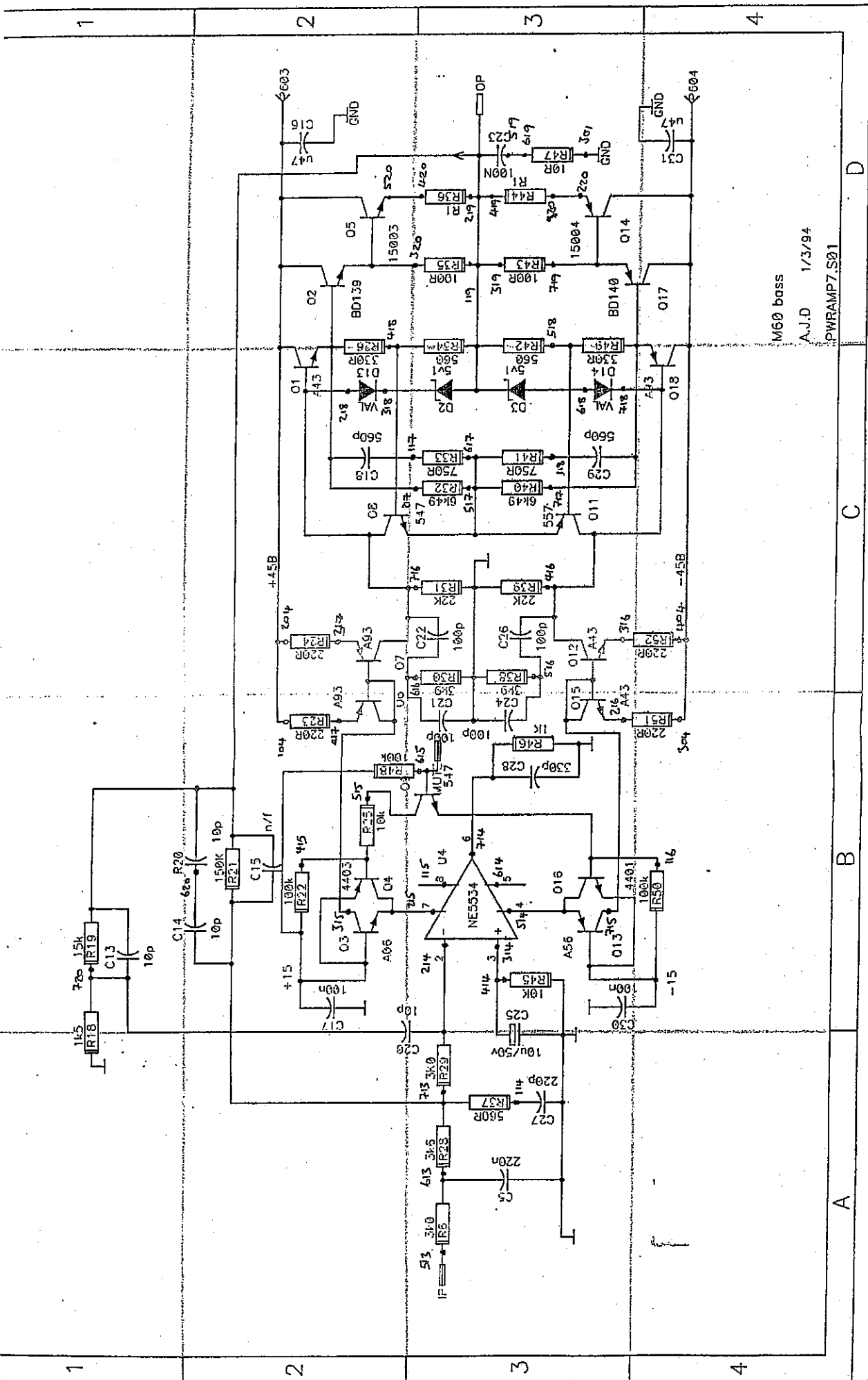
M60 Top
A.J.D 1/3/94
PWRAMP4.S01

A B C D
1 2 3 4



M60 Mid
 A.J.D 1/3/94
 PWRAMP8.S01

M60 Mk III
 Sht 3 of 5

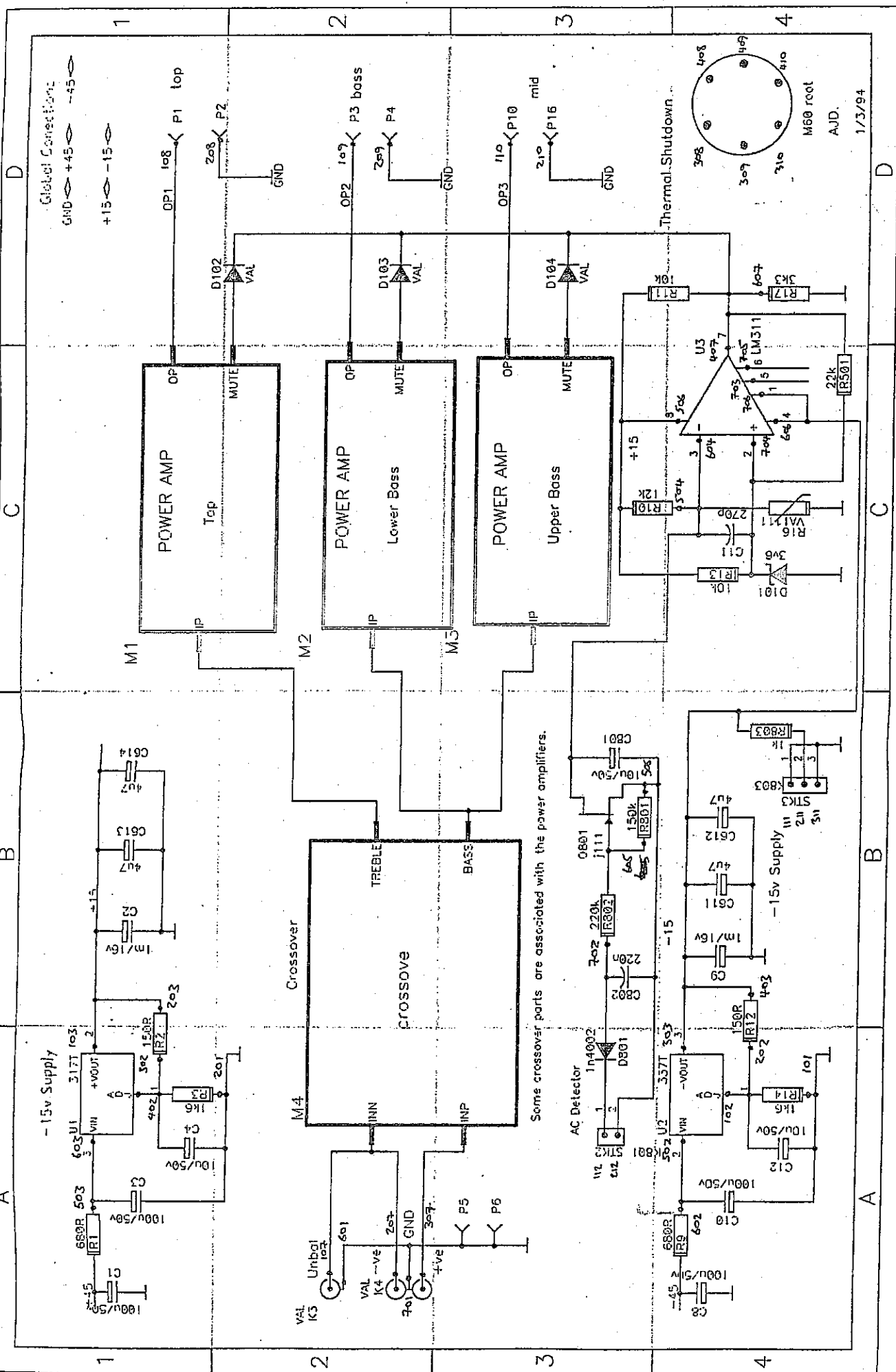


M60 MkIII
 Sht 2 of 5

M60 boss
 A.J.D 1/3/94
 PWRAMP7.S01

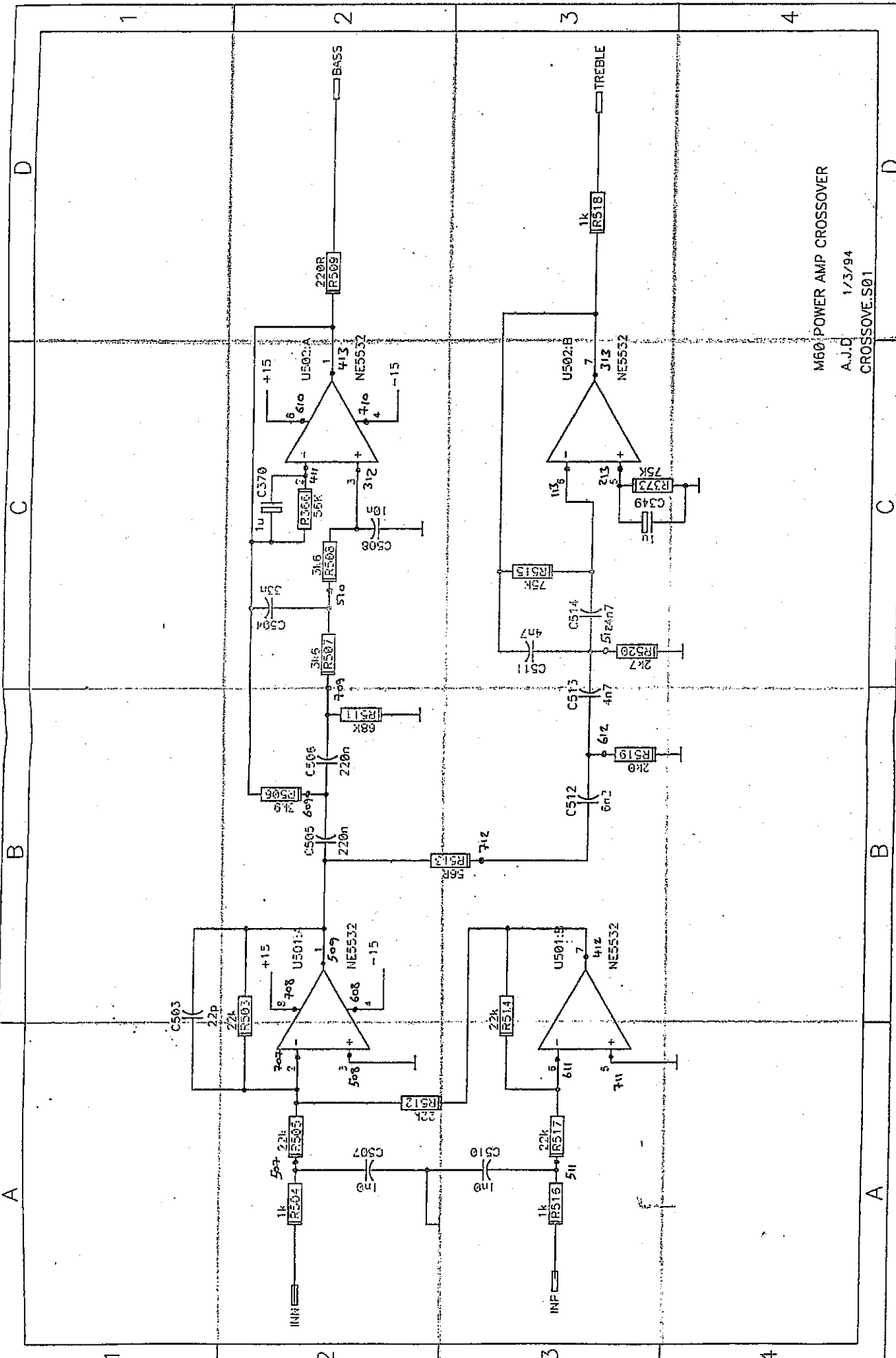
45702

M60 Mk III
Skt 1 of 5



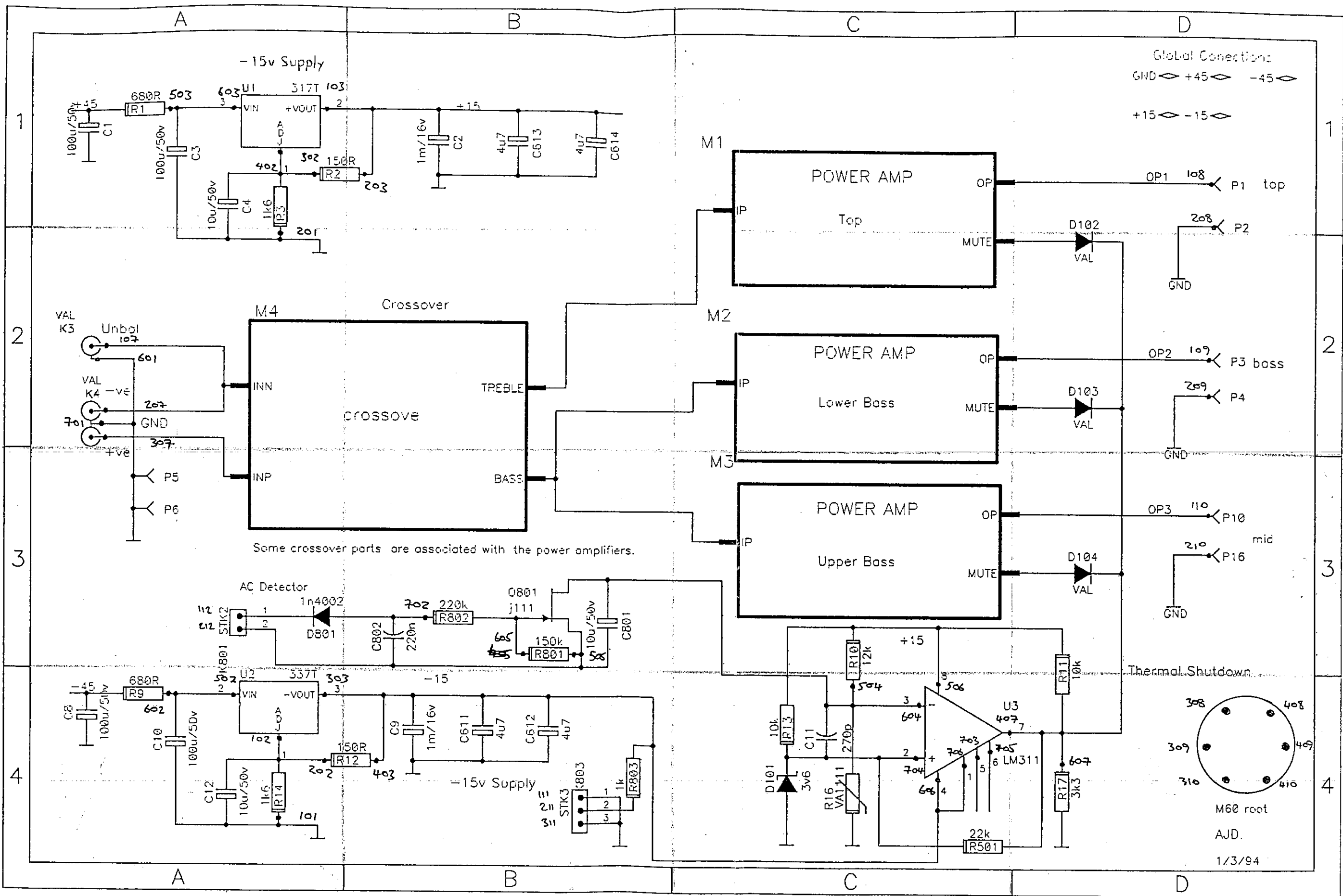
Some crossover parts are associated with the power amplifiers.

Thermal Shutdown

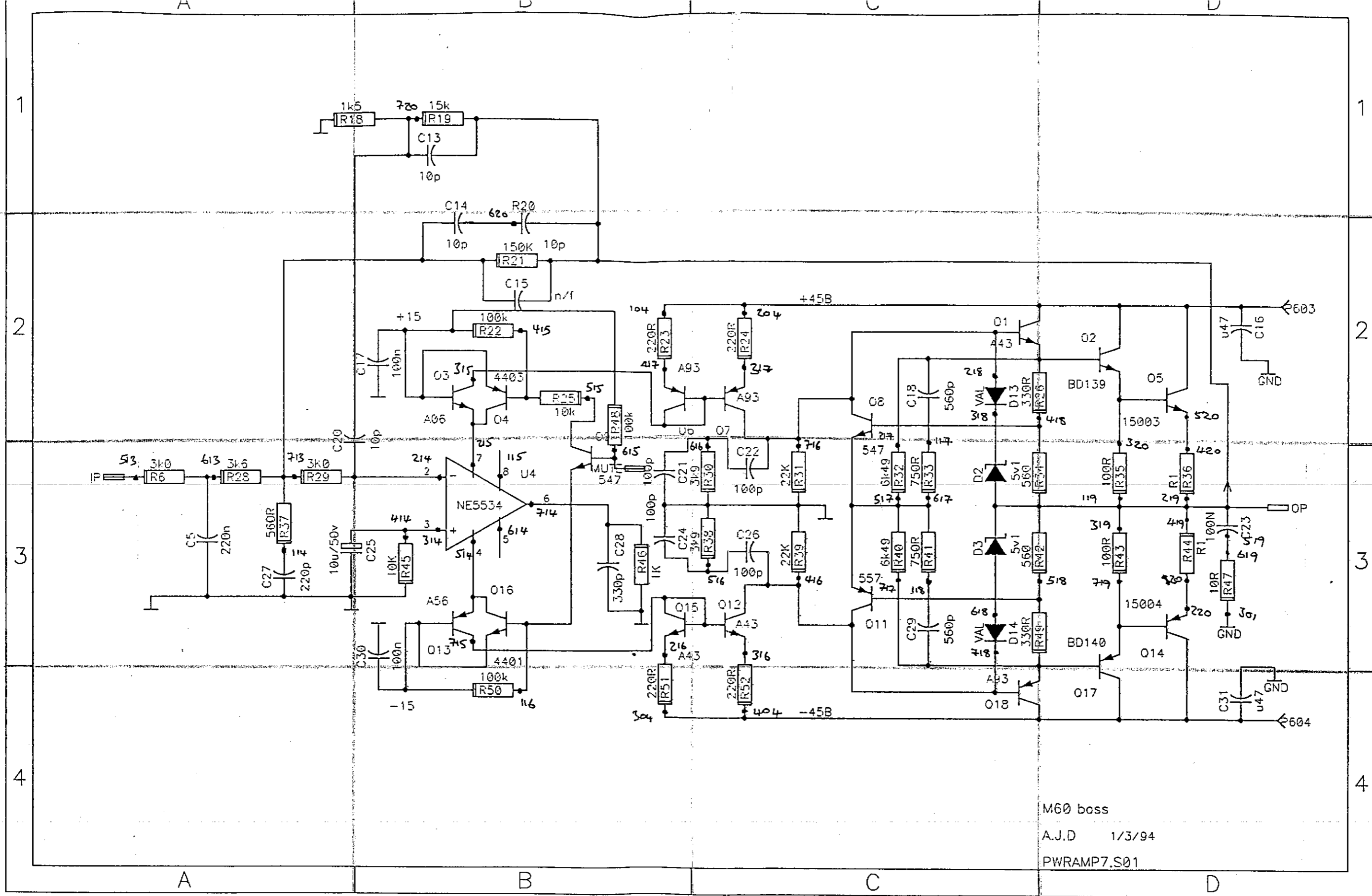


M60 POWER AMP CROSSOVER
 A.J.D. 1/3/94
 CROSSOVE.S01

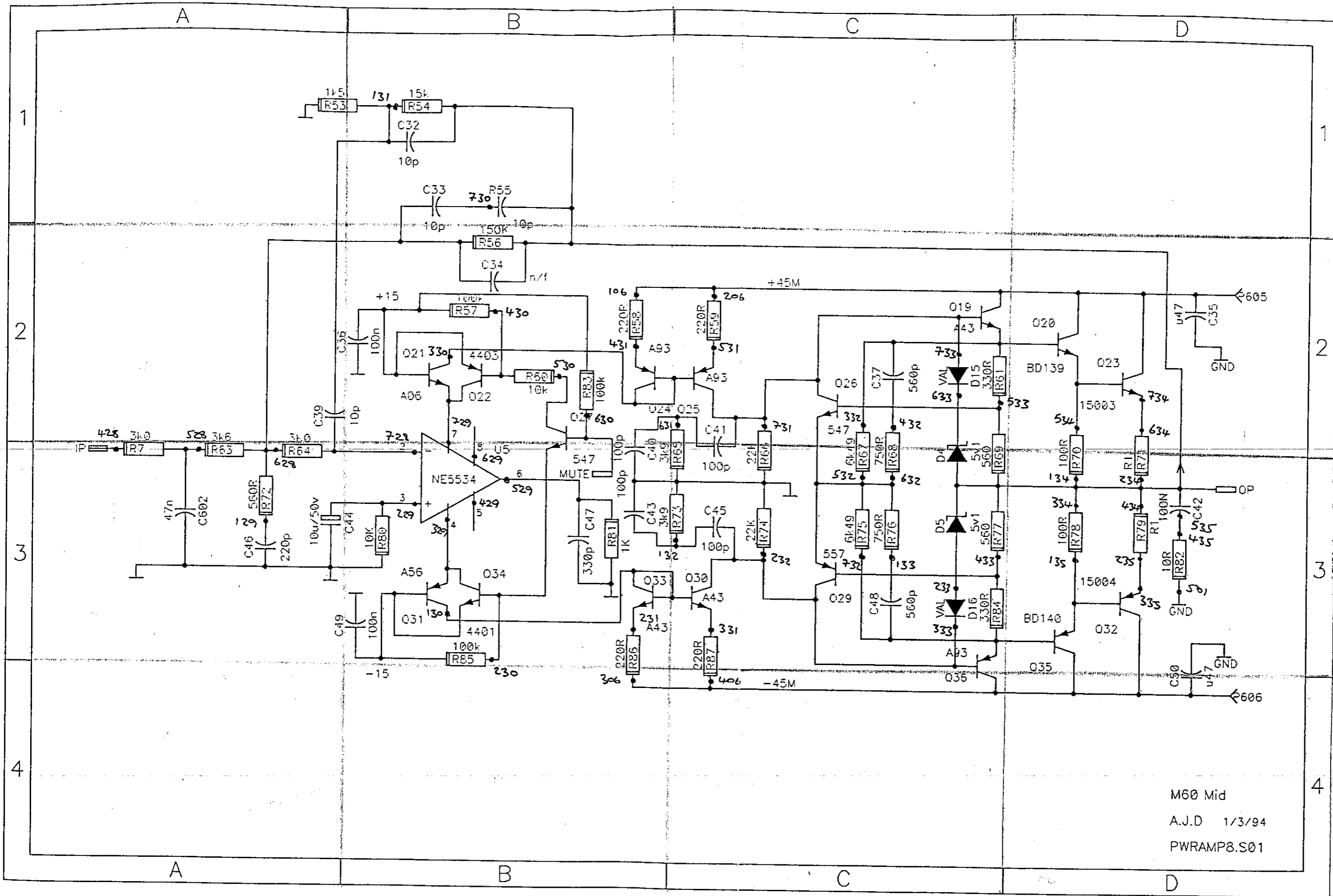
M60 Mk III
 Sht 5 of 5



M60 Mk III
 Sht 1 of 5

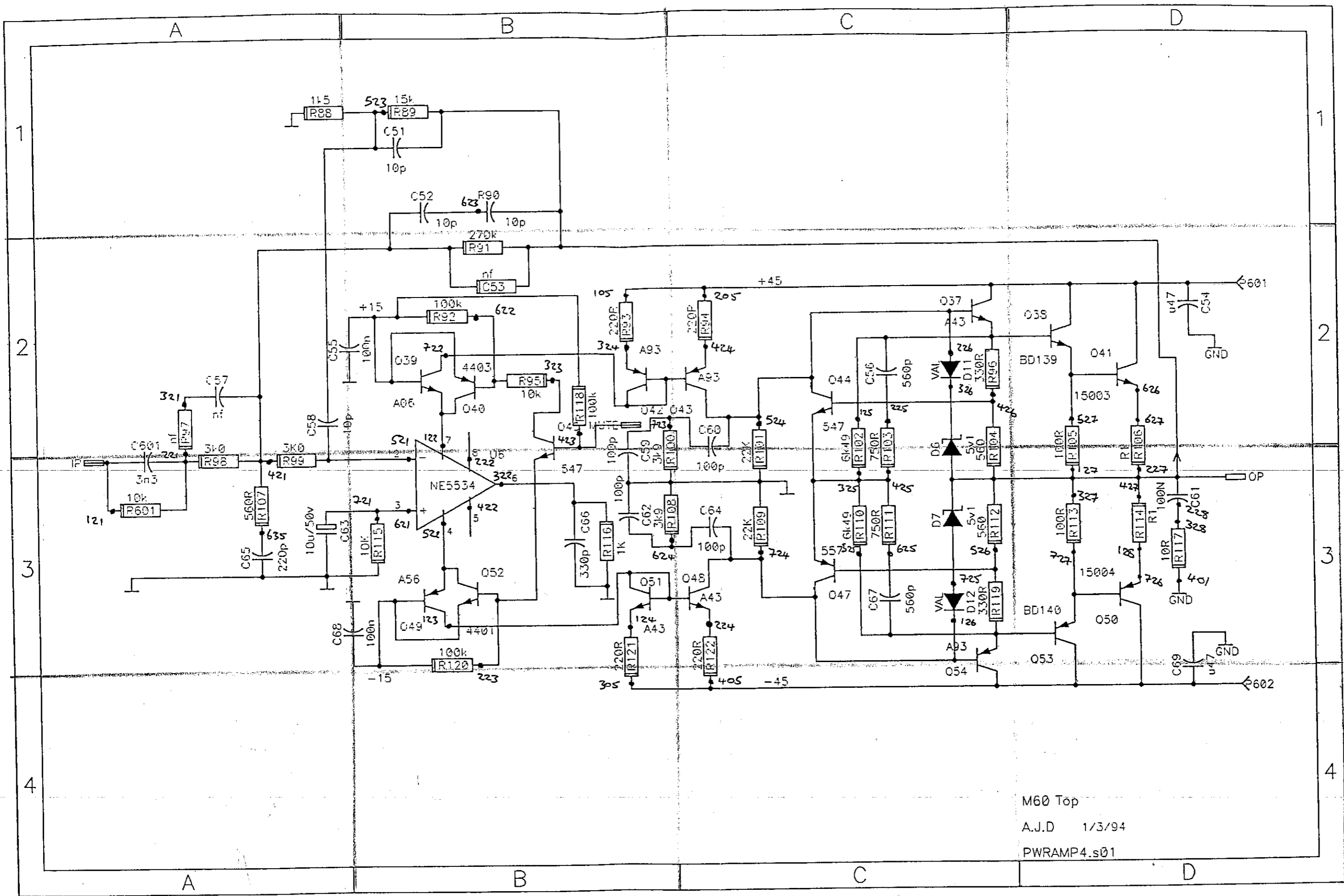


M60 Mk III
 Sht 2 of 5



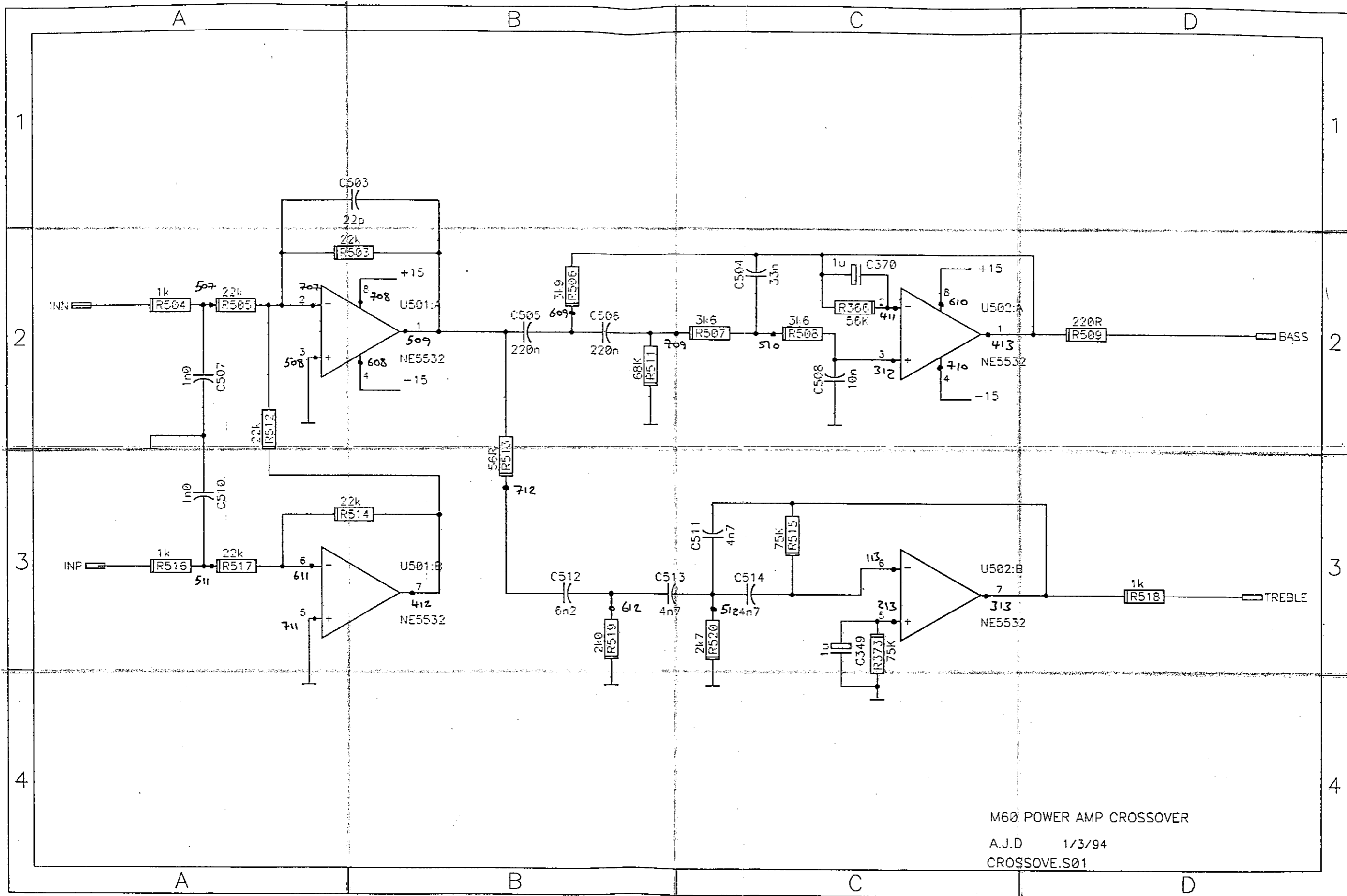
M60 Mid
 A.J.D 1/3/94
 PWRAMP8.S01

M60 Mk III
 Sht 3 of 5



M60 Top
 A.J.D 1/3/94
 PWRAMP4.s01

M60 Mk III
 Sht 4 of 5



M60 Mk III
 Shit 5 of 5