



MERIDIAN

# M6 Loudspeaker

DSP loudspeaker system



**At first sight, Meridian's M6 Loudspeaker represents a radical departure, with its slim, elegant shape. But in many respects M6 is the epitome of a Meridian DSP Loudspeaker, with all the features that make Meridian loudspeakers unique in their ability to combine superb sound with elegant design that's at home in any room.**

The loudspeaker is characteristically narrow at the top – a Meridian trademark that follows the philosophy of developing loudspeakers with characteristics of the human head – in this case providing an excellent polar diagram and performance that is both friendly to the listener and to the room.

With their tapered cylindrical sculpting, and with soft rather than reflective finishes, M6 Loudspeakers have been designed to sit comfortably in any home and be appreciated from all angles, including from behind.

The same cylindrical form gives M6 a cylinder-like acoustic radiation pattern. This in turn means that the apparent sound level

does not significantly vary as you move closer to, or further from, the loudspeaker. The result is an extremely even distribution of sound throughout the room, creating an exceptionally wide listening area.

Meridian's Digital Signal Processing and active electronic technologies combine to make M6 more than a mere 'speaker'. A pair of M6 Loudspeakers forms a complete audio system with all the necessary amplifiers and electronics neatly hidden inside their circular bases. This method of designing a *system* rather than simply a loudspeaker has outstanding performance advantages, and it also helps save space in a living room.

On-board DSP provides thermal and dynamic bass protection with very accurate transients, ensuring that when the loudspeaker is played at very high levels, even over prolonged periods of time, M6 Loudspeakers always deliver an effortless sound that is clean and pure.

Each M6 loudspeaker includes two powerful amplifiers – one (100W) dedicated to the 85mm wide-range driver, and the other

## Product highlights

Distinctive appearance designed to sit comfortably in any home and be appreciated from all angles, including from behind.

Cylindrical acoustic radiation pattern means that the apparent sound level does not significantly vary with distance from the loudspeaker, for extremely even distribution of sound throughout the room.

Digital Signal Processing and active electronic technologies combine to form a space-saving audio system with all the electronics hidden away in the base of each loudspeaker.

On-board DSP provides thermal and dynamic bass protection with very accurate transients, ensuring pure natural sound at all times, even with extended use at high levels.

Bass and wide-range drivers are driven by their own amplifiers for pure, uncoloured sound and puts the power exactly where it's needed.

Dual-ported bass enclosure with downward-facing driver delivers excellent floor loading for enhanced bass.

Unique, heavy and rigid, M6 features advanced materials specially developed by Allen Boothroyd to provide maximum acoustic performance so you hear the loudspeaker, not the cabinet.

Meridian SpeakerLink for simple and convenient installation.

**Meridian Audio Limited**

[meridian-audio.com](http://meridian-audio.com)

(150W) to the 140mm bass driver – that have been designed to operate comfortably and run perfectly cool, even at the highest listening levels.

The use of a wide-range driver across the speech band helps create a loudspeaker with an effortless sound that remains clear, open and spacious, even at high listening levels.

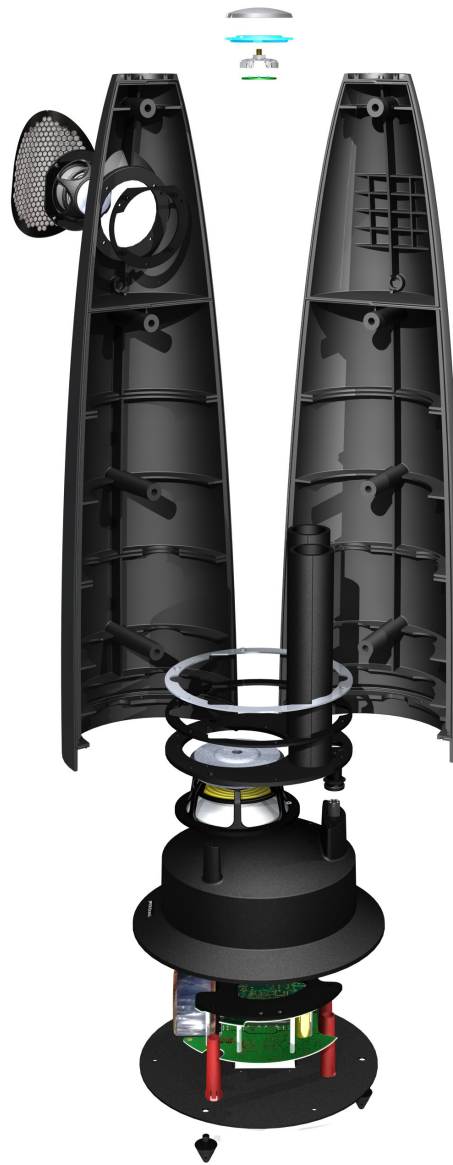
Meanwhile, the bass end is crossed over at 200Hz, just as in the DSP8000, with a full-scale high-resolution Meridian DSP crossover. DSP processing throughout also delivers traditional Meridian benefits, including a level of performance matching that of a conventional loudspeaker eight times the physical volume, and an apodising upsampling filter for maximum digital audio quality.

Each M6 Loudspeaker incorporates a powerful downwards-facing bass driver in a twin-ported enclosure. This method of design not only allows M6 its characteristic round footprint, but also delivers floor-loaded bass which is extremely well coupled with the room. This space saving design also helps ensure that M6 Loudspeakers deliver outstanding sound wherever they are placed in the room.

The M6 Loudspeaker's enclosure is formed from a specially developed, barium-doped resin specially developed by Allen Boothroyd and based on the material he conceived for the Meridian F80. The material is uniquely heavy and rigid, yet at the same time can be moulded into a complex form that would be impossible to achieve using traditional loudspeaker materials.

Acoustically inert, the enclosure provides separate, isolated housings for the wide-range and the low-frequency drivers. Internally the enclosure supports bracing for even greater stiffness, and a tuned porting system that further extends the loudspeaker's low-frequency performance.

Meridian SpeakerLink connectivity makes M6 quick and easy to set up and to install, and allows the advanced audio controls offered by M6 Loudspeakers to be managed from the front panel of a connected Audio Core, further simplifying installation of M6 Loudspeakers.



Bass, Treble, Balance, Boundary Gain Compensation and other features can be controlled directly with an Audio Core unit.

The M6 has no full display of its own, but level and other settings can be shown on the panel of an Audio Core.

Sitting discreetly under the precision-machined aluminium cap that tops each M6 Loudspeaker is an elegant, 360 degree, diffused light halo that indicates whether the loudspeaker is active (soft white light) or in standby (soft blue light). The whole acoustic enclosure is covered in a single-piece fabric grille that has been designed to be interchangeable.

### Outline Technical Specification

#### Performance

- Frequency response in-room within 3dB from 38Hz to over 20kHz.
- Output 106dB spl @ 1m on music material.
- Noise less than 15dB spl.

#### Connections:

- Meridian SpeakerLink in and out (RJ45)

#### Construction:

- 2-way bass reflex system

#### Drivers:

- Bass: 1x 140mm aluminium cone
- Wide-range: 1x 85mm aluminium cone

#### Amplifiers:

- Bass: 150W Class D with feedback, bridged load
- Wide-range: 100W super-linear low-feedback
- Overall distortion typically <0.02% at any frequency or level.

#### Dimensions:

- Height: 921mm (36.26in) on rubber Bumpers
- Diameter: 300mm (11.8in) at base, 66mm (2.60in) at top

#### Power:

- 110 - 120 Volt 50/60Hz
- 220 - 240 Volt 50/60Hz

#### Max Power Consumption:

- 350 Watts