

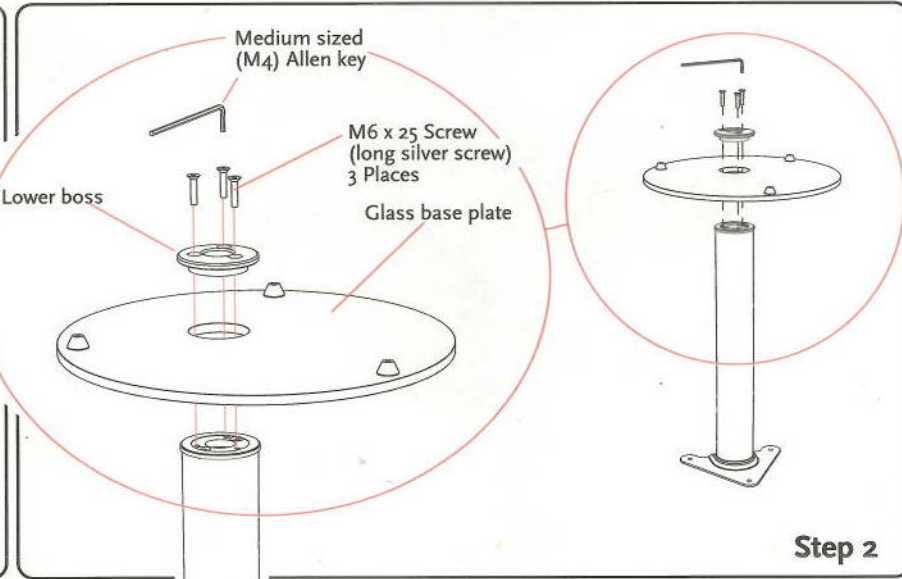
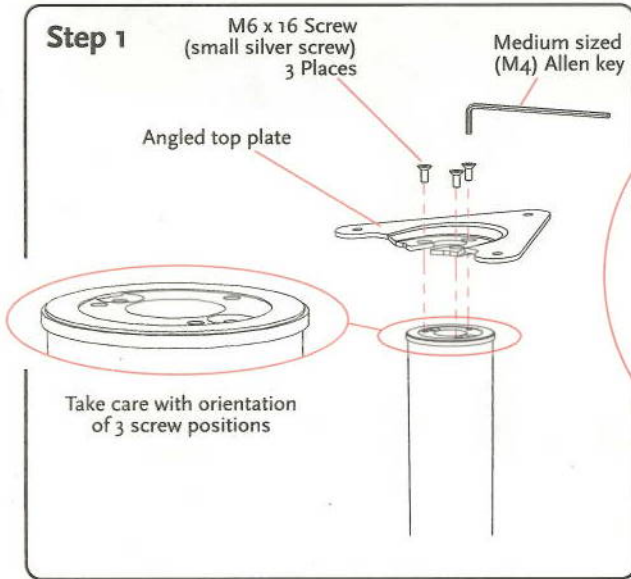


MERIDIAN



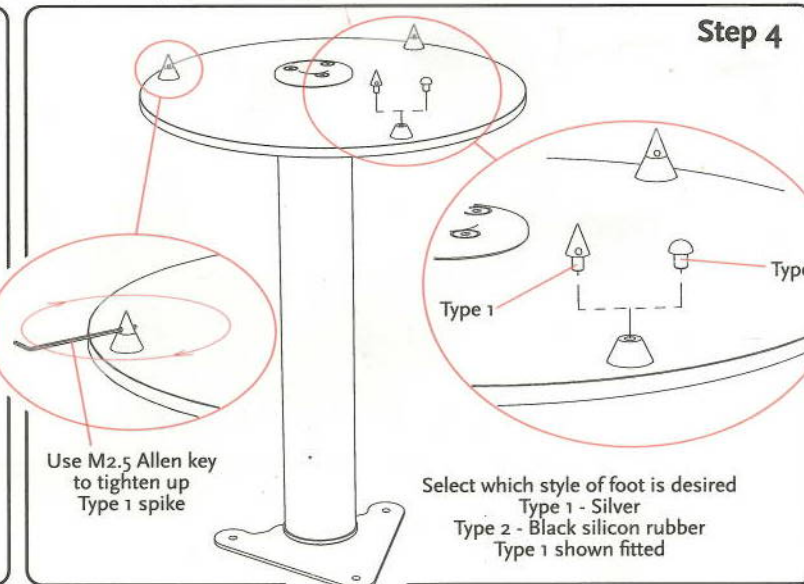
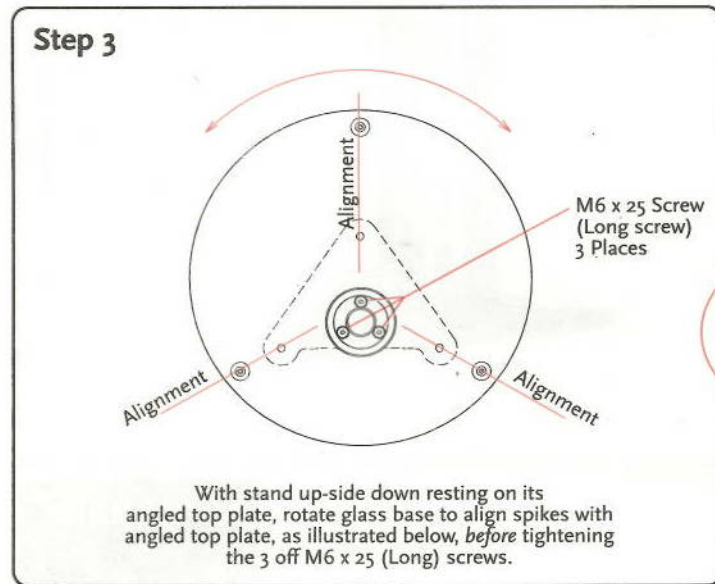
# 1

**Step 1**  
Screw angled top plate in position as shown taking care to orientate correctly.



**Step 2**  
Place stainless steel tube and angled top plate up-side down on the floor. Clamp glass base plate in position as illustrated with lower boss. Do not tighten screws just yet.

**Step 3**  
Still with the assembly up-side down resting on angled top plate, orientate glass base as described then tighten screws.



**Step 4**  
Select from accessory box desired style of foot. Screw in place. Type 1 - Silver needs to be tightened with supplied Allen key.

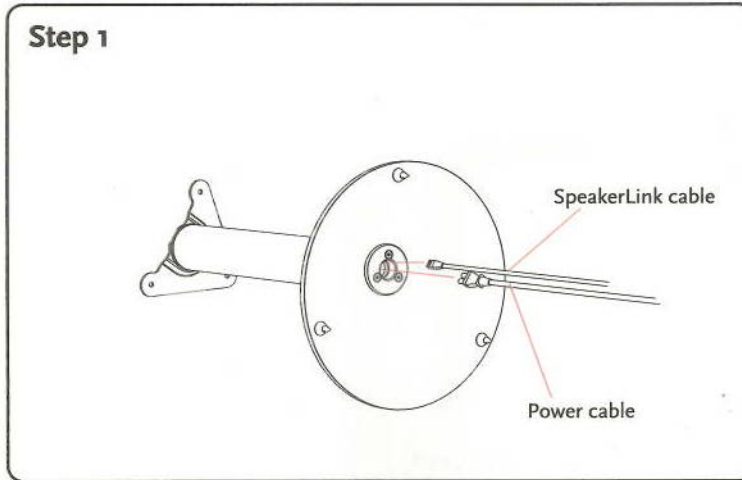
**D3200 Loudspeaker Stand**

Designed and Made in England by Meridian Audio Limited  
© 2011, Meridian Audio

# 2

## Step 1

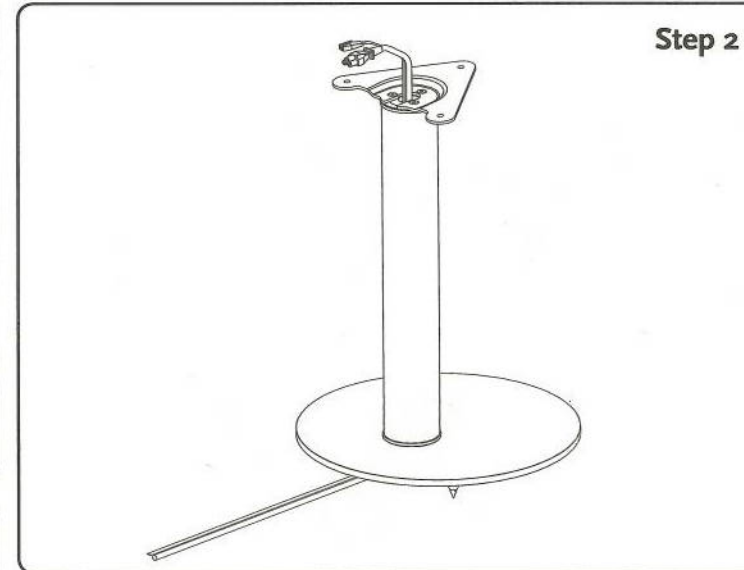
Slide cables up centre column of stand from the base. Fit power cord first.



## Step 2

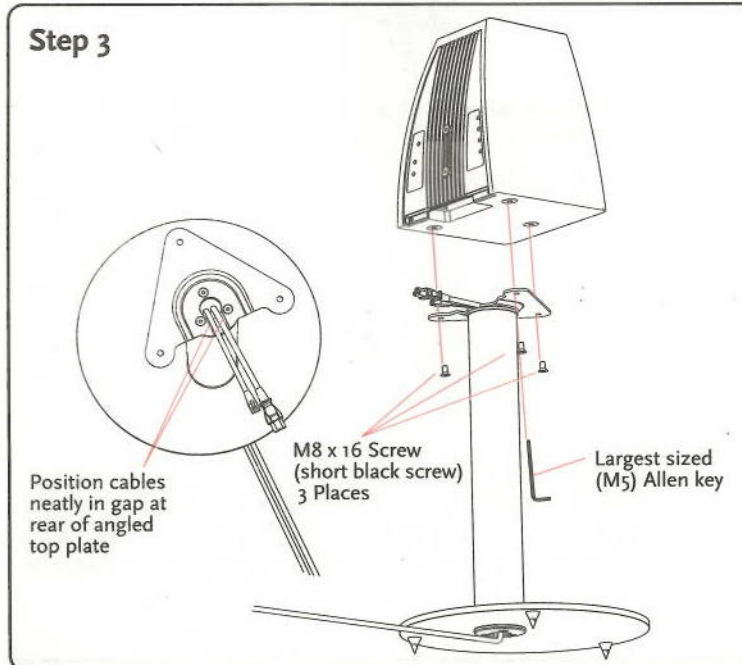
## Step 2

Pull connectors gently approximately 150mm (6") out of centre column.



## Step 3

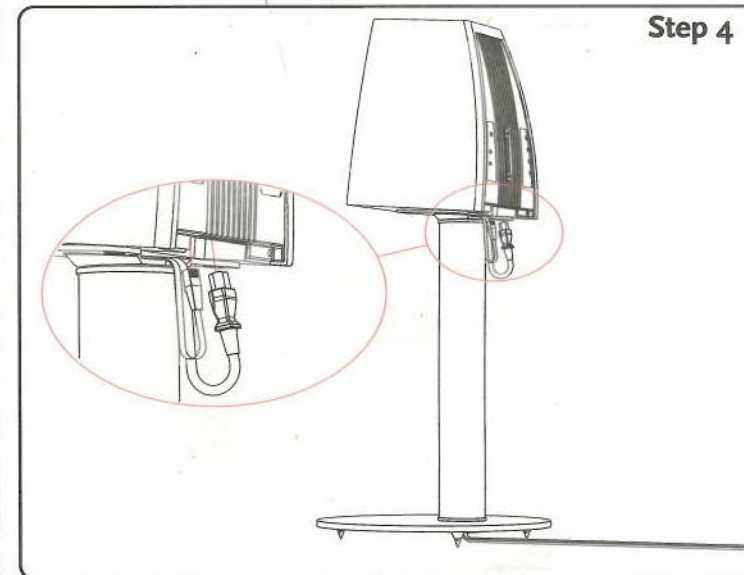
Fix cabinet to angled top plate with M8 x 16 screws (short black screws) using supplied Allen key. Be sure to position cables neatly in the gap at the rear of angled top plate



## Step 4

## Step 4

With cabinet securely in place, plug in cables. Any excess cable can be drawn back down the centre column.



### D3200 Loudspeaker Stand

Designed and Made in England by Meridian Audio Limited

© 2011. Meridian Audio

P83404

# 3

## D3200 Stand kit contents

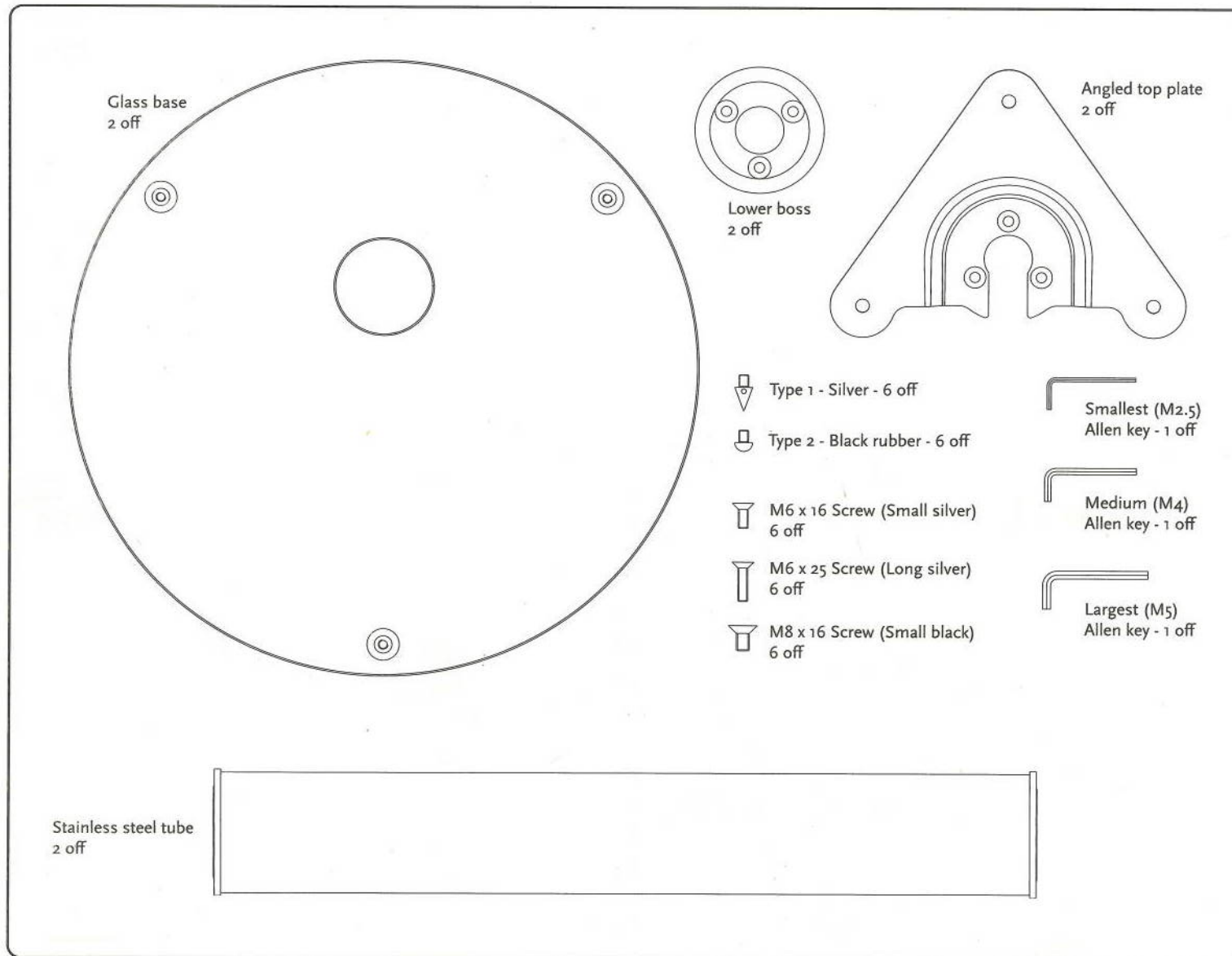
### Meridian Loudspeaker Stand

Part Number : SP5543

#### CAUTION

This stand is for use only with Meridian Audio Loudspeaker Cabinets.

Not to be used with other manufacturers' products as this may result in instability causing possible injury!



### D3200 Loudspeaker Stand

Designed and Made in England by Meridian Audio Limited

© 2011, Meridian Audio

P83405