

SR1000, TAPERED CAP/PLUG  
PART NO. 10136  
MOSS PLASTICS PARTS

6mm STEEL TOP PLATE

EXTRUSION 480 HIGH

REAR MOUNDINGS  
200 AND 280 HIGH

16mm TIE BARS

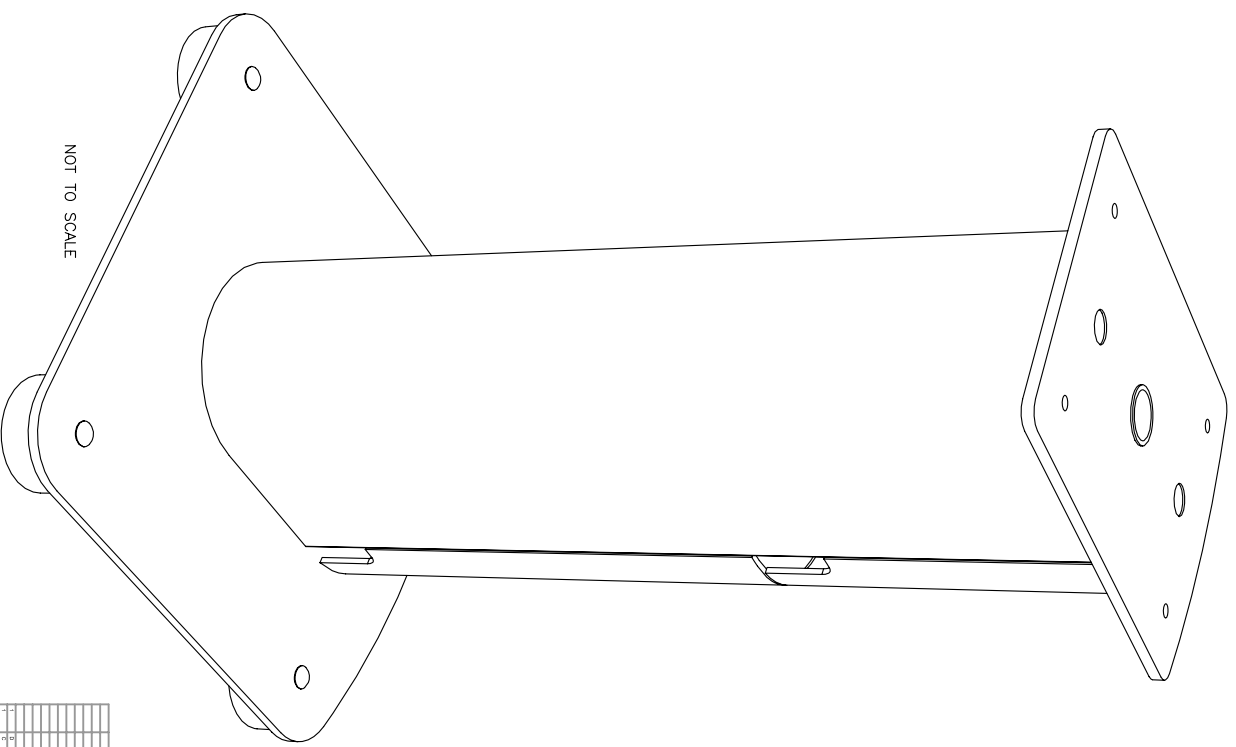
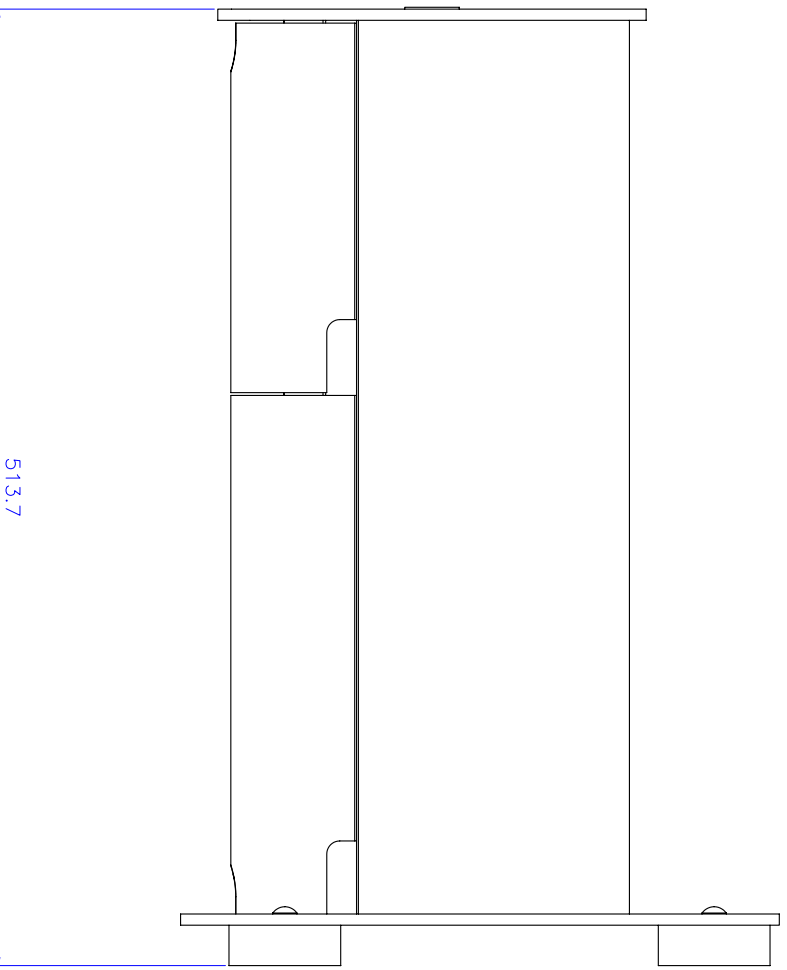
6mm STEEL BASE PLATE

4 X M8 X 16 S/S BUTTON HEADED BOLT

M8 X 16 S/S SPIKED BOLT  
OPTION PACKED AS ACCESSORY

MERIDIAN 5200 MOULDED FOOT

4 X M8 NUT BLACK



NOT TO SCALE

NOT TO SCALE

<b>A1</b> CAMBRIDGE PRODUCT DESIGN LIMITED <small>Cambridge Product Design Limited, 100 Brooklands Drive, Brooklands, Surrey TW20 0EX, UK</small>		Title: <b>MERIDIAN</b> Part: <b>3100 SPEAKER STAND ASSEMBLY</b>	
Drawing No: <b>1.531</b> Date: <b>15/03/2011</b> Version: <b>1</b>	Part No: <b>3100</b> Part Name: <b>3100 SPEAKER STAND ASSEMBLY</b> Part Desc: <b>3100 SPEAKER STAND ASSEMBLY</b>	Part No: <b>MER2400</b> Part Name: <b>MER2400</b> Part Desc: <b>MER2400</b>	Part No: <b>MER2400</b> Part Name: <b>MER2400</b> Part Desc: <b>MER2400</b>

