



Distributor 3 User Guide

MERIDIAN

Important safety instructions

- Read these instructions.
- Keep these instructions.
- Heed all warnings.
- Follow all instructions.
- Do not use this apparatus near water.
- Clean only with a dry cloth.
- Do not block any ventilation openings. Install in accordance with the manufacturer's instructions.
- Do not install near any heat sources such as radiators, heat registers, stoves, or other apparatus (including amplifiers) that produce heat.
- Only use attachments/accessories specified by the manufacturer.
- Unplug this apparatus during lightning storms or when unused for long periods of time.
- Refer all servicing to qualified service personnel. Servicing is required when the apparatus has been damaged in any way, such as power-supply cord or plug is damaged, liquid has been spilled or objects have fallen into the apparatus, the apparatus has been exposed to rain or moisture, does not operate normally, or has been dropped.

WARNING: TO REDUCE THE RISK OF FIRE OR ELECTRIC SHOCK, DO NOT EXPOSE THIS APPARATUS TO RAIN OR MOISTURE.

- Use only with the mains power adapter supplied with the unit. Replacements are available from your Meridian dealer.

Safety warnings

- Do not expose the unit to dripping or splashing.
- Do not place any object filled with liquid, such as a vase, on the unit.
- Do not place naked flame sources, such as lighted candles, on the unit.
- To avoid overheating leave at least 10cm around the equipment to ensure sufficient ventilation.
- Do not position the unit in direct sunlight, near heat sources such as a radiator, or directly on top of heat producing equipment, such as a power amplifier.
- To avoid interference do not position the unit near strong electrical or magnetic radiation, such as near a power amplifier.

Radio interference

FCC Warning: This equipment generates and can radiate radio frequency energy and if not installed and used correctly in accordance with our instructions may cause interference to radio communications or radio and television reception. It has been type-tested and complies with the limits set out in Subpart J, Part 15 of FCC rules for a Class B computing device. These limits are intended to provide reasonable protection against such interference in home installations.

EEC: This product has been designed and type-tested to comply with the limits set out in EN55013 and EN55020.



Copyright

Meridian Audio Ltd
Latham Road
Huntingdon
Cambridgeshire
PE29 6YE
England

Copyright © 2013 Meridian Audio Ltd.

Visit us on the web:
<http://meridian-audio.com>

Part no: P86033

This guide was produced by:
Human-Computer Interface Ltd,
<http://www.interface.co.uk/>

Warranty and product registration

The Distributor 3 is covered by warranty to be free from defects in materials and workmanship for two years from the date of purchase; subject to the limitations and conditions outlined below. This warranty covers the cost of labour and materials for any repair deemed necessary by the Meridian Service Team. Proof of purchase or a copy of the sales receipt will be required for any claim made against the warranty.

Limitations and Conditions

The Distributor 3 is covered under the warranty only if the following conditions have been met:

- It has been used in accordance with the instructions given in the section *Important safety instructions* elsewhere in this document.
- It has not been altered or modified in any way.
- It has not been purchased from an unauthorised dealer.

- It has not been subjected to an unauthorised repair or service.

In order to make a claim against the warranty, the approved process for returning a faulty unit for repair or replacement must be followed. Details of this process can be found on the Meridian web site:

meridian-audio.com/support

Product Registration

Register your Distributor 3 product at:

meridian-audio.com/support

and receive Exclusive Meridian News and discover more about the Meridian Collection.

Unpacking and mounting

The Distributor 3 is supplied with the following accessories:

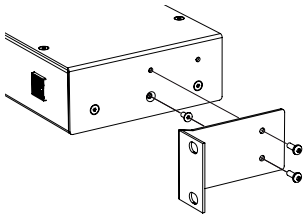
- 2 x rack-mounting ears and pan-head screws.
- This manual.

If any of these items are missing please contact your dealer.

Mounting options

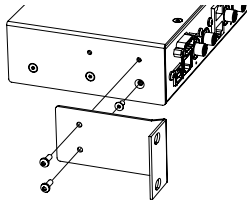
To mount the Distributor 3 for access to the connections from the rear of the rack:

- Remove one screw from each side as shown.
- Fit the rack-mounting ears to the slots nearest the front using the supplied pan-head screws:



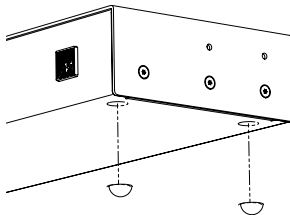
To mount the Distributor 3 for access to the connections from the front of the rack:

- Fit the rack-mounting ears to the slots nearest the rear using the supplied pan-head screws:



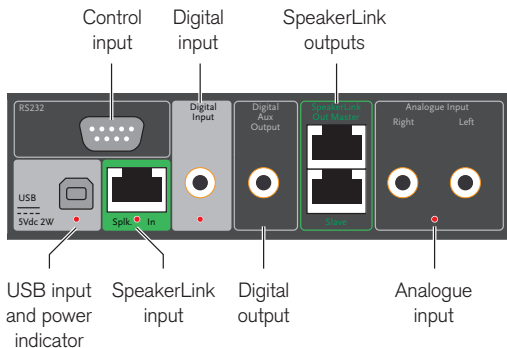
For free-standing use:

- Attach the four self-adhesive rubber feet:



Back panel

The Distributor 3 contains three identical modules with the following connections:



Outputs

Use this output To connect to this

- SpeakerLink out** The SpeakerLink inputs of a pair of Meridian DSP loudspeakers.
- Digital aux output** The digital input of a second module in the Distributor 3.

Inputs

Use this input To connect to this

- Control input** A control system, using an RS232 lead.
- USB input** A computer USB output, to configure the Distributor 3, or a USB power supply.
- SpeakerLink input** The SpeakerLink output of a Meridian source.
- Digital input** The digital coax output from an audio distribution system.
- Analogue input** The analogue phono outputs from an audio distribution system.

Indicators

Indicator

- USB** The module is powered.
- SpeakerLink** The SpeakerLink input is active.
- Digital** The digital coax input is active.
- Analogue** The analogue input is active.

Using the Distributor 3

The Distributor 3 contains three identical modules. Each module is designed to connect to a pair of Meridian DSP loudspeakers with SpeakerLink inputs, using RJ45 cables.

Each module provides a choice of SpeakerLink, digital coax, or analogue inputs.

Controlling via RS232

The active input can be chosen via RS232 by selecting an appropriate source on the connected Meridian DSP loudspeaker:

Selected source	Active input
CD	Digital
Radio	Analogue
Aux	SpeakerLink

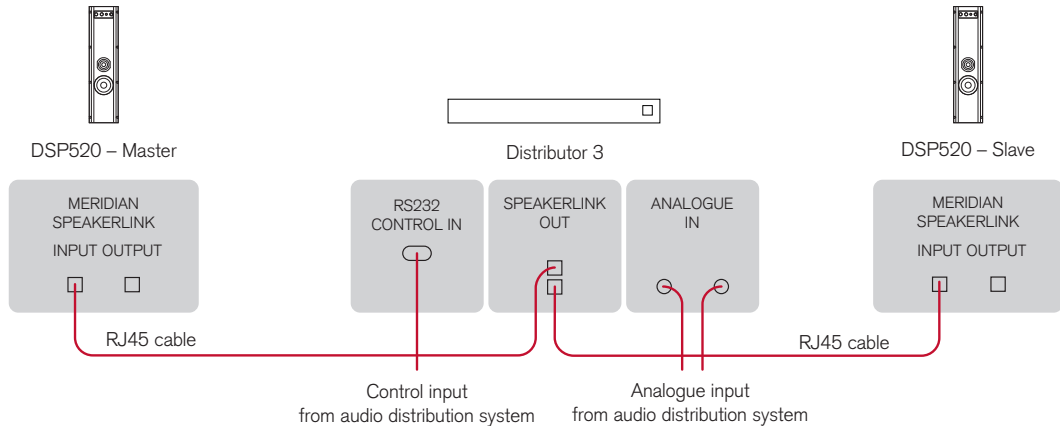
This also provides control over volume and the other parameters provided by the DSP loudspeakers. See the RS232 documentation for the connected DSP loudspeaker for more details.

Powering

Each module in the Distributor 3 can be powered directly from a recent Meridian component with a SpeakerLink input, such as the Audio Core 200, DSP3200, DSP3300, or M6 loudspeakers.

Applications

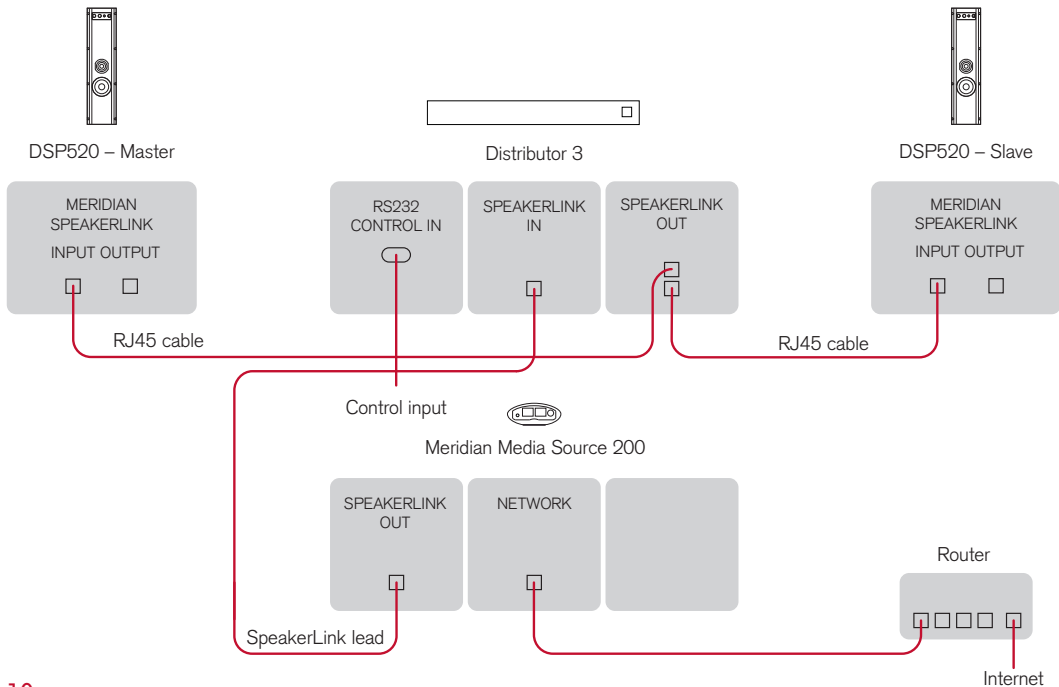
Source from control system



Each module in the Distributor 3 can distribute a digital or analogue source to a pair of Meridian DSP loudspeakers.

- Connect the Meridian DSP loudspeakers to the SpeakerLink outputs of the module.
- Connect the source to the digital coax or analogue inputs.
- Select the source and control the volume from the control input.

Streaming using Media Source 200

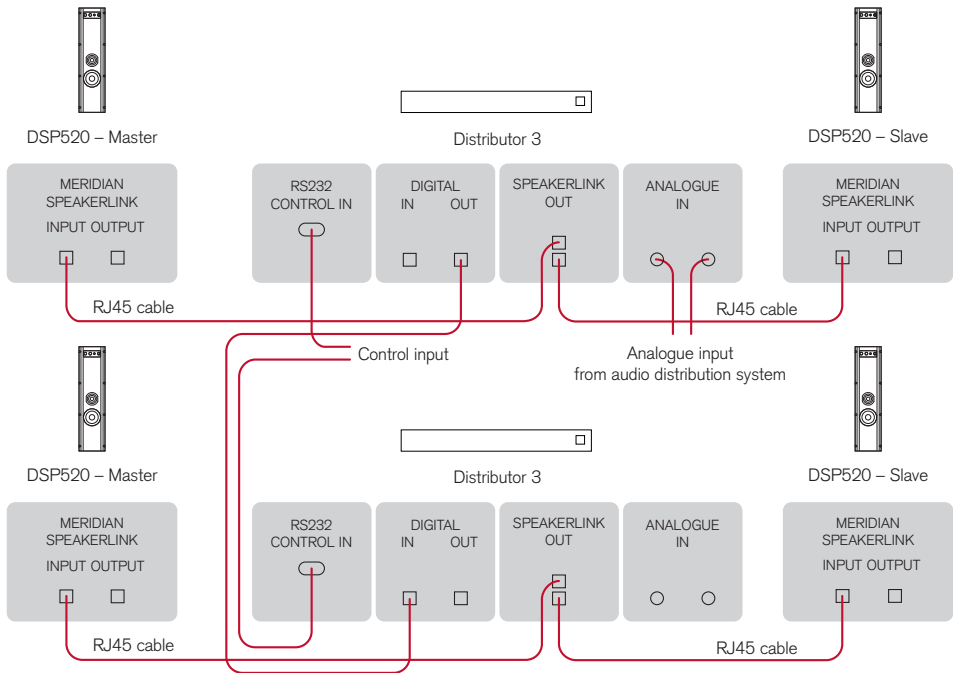


One of the three modules in a Distributor 3 can be used to connect a pair of Meridian DSP loudspeakers to a streaming system, via a Meridian component such as the Media Source 200.

The system can then be controlled by the control system via the RS232 control input or from the Meridian streaming system.

- Connect the SpeakerLink output from the Media Source 200 to the SpeakerLink input of the Distributor 3 module.
- Connect the Meridian DSP loudspeakers to the SpeakerLink outputs of the module.
- Connect the RS232 control connector from the module to the control system.

Daisy-chaining to give independent control over multiple pairs of speakers



The digital output provides a copy of the audio on the SpeakerLink, digital coax, or analogue inputs. This can be linked to the digital coax input of another module, in the same Distributor 3 or in a second Distributor 3, to allow the same source to be distributed to multiple Meridian DSP loudspeakers, with independent control over the volume of each pair of speakers via the control system.

- Connect the source from the distribution system to the first Distributor 3 module.
- Connect the digital output from the first Distributor 3 module to the digital coax input of the second Distributor 3 module.
- Connect the Meridian DSP loudspeakers to the SpeakerLink outputs of each module.
- Connect the RS232 control connector from each module to the control system.

