



**MERIDIAN**

## PRODUCT INFORMATION

### DISTRIBUTOR 3

Distributor 3 allows seamless integration and control of Meridian DSP Loudspeakers with RS232-based distributed audio and home control systems.

REDEFINE THE POSSIBLE



**The Distributor 3 allows the addition of three Meridian DSP Loudspeaker zones to a distributed audio system. Utilising Meridian SpeakerLink, the loudspeakers in each zone are connected seamlessly via the Distributor 3 to any existing RS232-based home control system.**

Typically installed after the matrix switch for distributed sources, Distributor 3 allows the control system to be used for source, switching and zone control. Distributor 3 contains three identical and discrete sections that can operate independently or share a common source, playing any home audio source via Meridian DSP Loudspeakers.

Distributor 3 is intended to be easy to install and to integrate seamlessly with a control system and audio sources. It derives its power through Meridian SpeakerLink and is designed to fit in an equipment rack using the included rack-mount ears.

### Functionality

Distributor 3 consists of three totally independent sections.

Each section takes a stereo input signal, typically from the whole-house audio matrix switch, either analogue unbalanced, S/PDIF digital coax, or Meridian SpeakerLink and relays it to a pair of Meridian DSP Loudspeakers. Analogue input signals are converted to digital format at 24-bit, 96 kHz sampling for the highest quality.

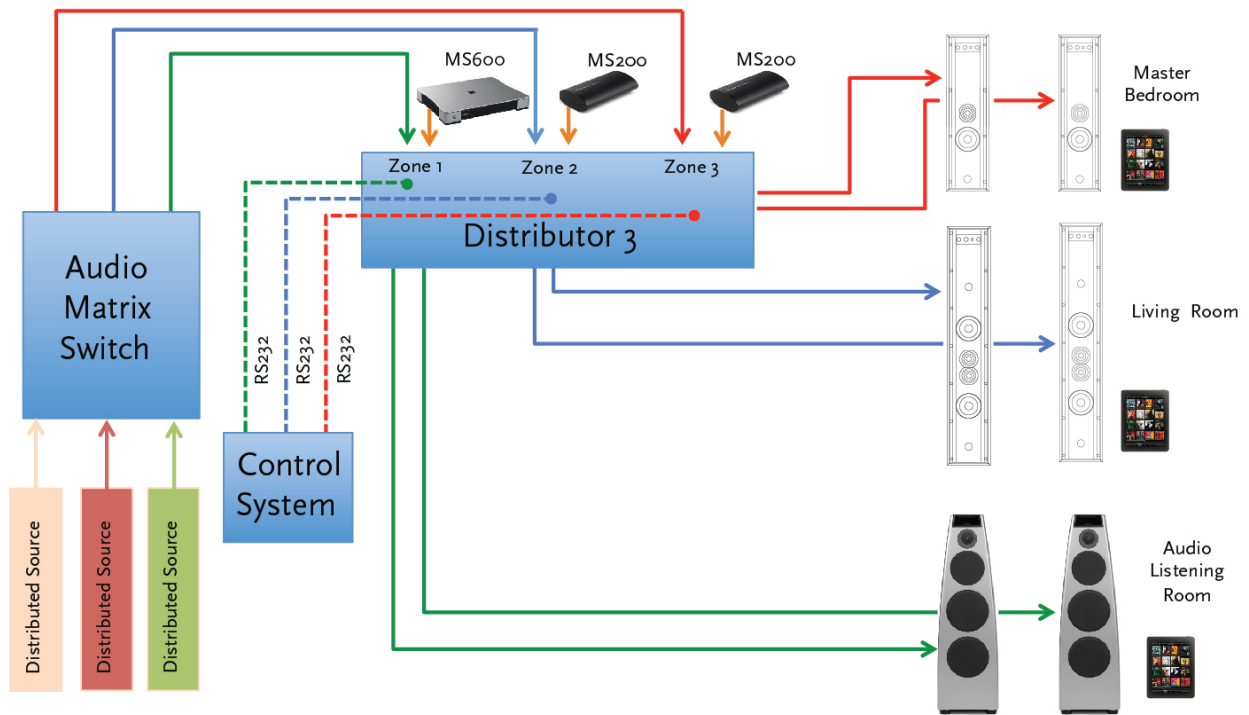
Multiple sections of the Distributor 3 may be fed from the same source. The source is fed to any one of the inputs in one section and the Aux Digital Output (S/PDIF coax) of this section is fed to the Digital Input of the next; if needed, the Aux Digital Output of that section may be fed to the Digital Input of the third. Additional Distributor 3 units may be used where more zones are required.

### Key Features

- Allows Meridian DSP Loudspeakers to operate seamlessly with systems featuring RS232 and distributed audio systems.
- Distributes central sources across three additional zones
- Simply add up to three more Meridian Loudspeaker zones with each Distributor 3
- Discrete control of each zone via RS232
- Analogue, S/PDIF and SpeakerLink inputs per zone
- Analogue signals converted to 24-bit/96kHz digital
- Separate or identical sources for each zone
- Universal source connectivity: SpeakerLink, analogue and digital
- Indicator lights for source and power
- Sturdy metal enclosure, optionally rack-mounted



Distributor 3 includes three identical, independent zones sourced by analogue, digital or SpeakerLink inputs



Typical application of Distributor 3

## Installation & Operation

Typically, the audio matrix switch controlled by the RS232 automation system will provide a stereo audio signal to be fed into the appropriate input of the Distributor 3 zone, alongside the RS232 signal from the control system via the DB9 socket provided (see typical application diagram above).

Twin SpeakerLink outputs from the zone then allow “home run” connection to the Meridian DSP Loudspeakers in each zone. Each pair of DSP Loudspeakers is controlled via an associated RS232 connection.

Most installations will require no configuration or customization.

However, a USB connector in each section provides access to a command-line interface for assigning Meridian Sources to the individual physical inputs in each section if they need to differ from the defaults (Digital = CD, Analogue = Radio and SpeakerLink = Aux).

Additional configuration capability is also available via the command-line interface.

Distributor 3 is manufactured to the highest standards in Meridian’s factory near Cambridge, UK, and features a durable rack-mount metal case with top-quality connectors and 6-layer printed circuit boards for optimum audio performance.

## Outline Specifications

### Inputs (each of 3 sections)

- 1 x RS232 control signal (DB9)
- 1 x SpeakerLink (RJ45)
- 1 x Analogue stereo pair (phono) converted internally to 24-bit 96kHz digital
- 1 x Digital S/PDIF coax (phono)
- 1 x USB B type for configuration if required

### Outputs (each of 3 sections)

- 2 x SpeakerLink (RJ45, Master & Slave)
- Digital Aux S/PDIF coax (phono) for linking between zones

### Dimensions

- 430 (16.9) x 112 (4.4) x 43.50 (1.71) (W D H mm (in))
- (1U, 19in rack-mounting)

### Weight

- 1 kg (2.2 lb) approx.